



## Product Overview

The WDG-6112 connects to a computer via a USB-C connection and to an OSDP or Wiegand credential reader. When credentials are read by the reader the credential data is sent to the WDG-6112 which outputs the data on the computer as keystrokes.

## Applications

- Creating credential databases during site takeovers
- Use with your RFID reader to create an enrollment reader solution
- Troubleshoot readers/credential output in the field



WDG-6112\_221014

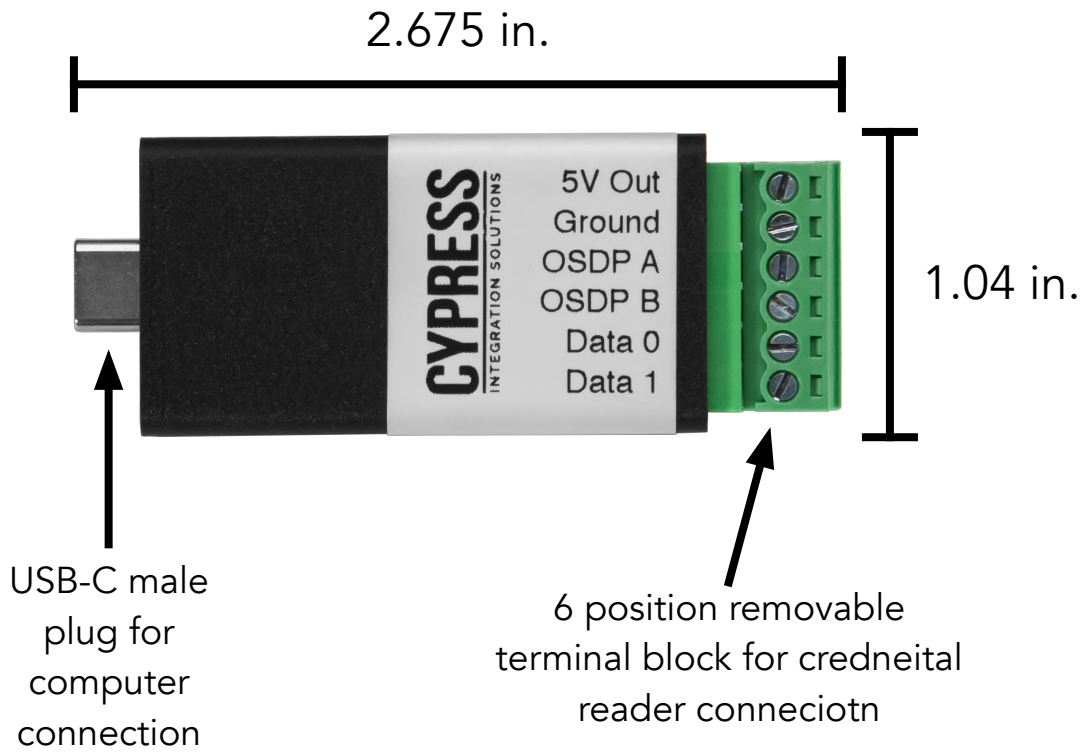
# WDG-6112 USB Data Wedge Features

- USB-C connection to computer
- Includes 3 foot USB-C extension cable (female to male)
- Supports OSDP and Wiegand credential readers
- +5 VDC output for powering credential readers
- Default configuration processes any credential format, outputs number of bits and raw credential data in hexadecimal
- Simple configuration allows processing of up to 10 credential formats simultaneously

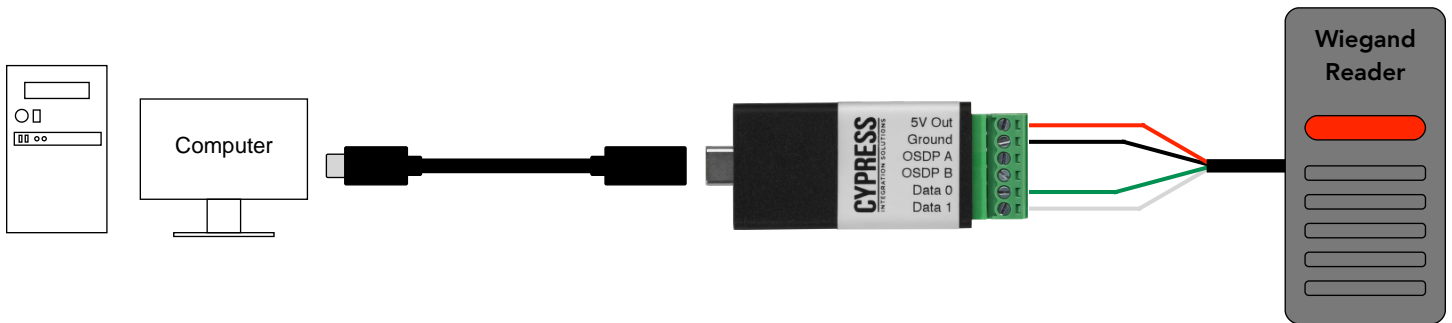
## Specifications

Specifications			
Part Number	Part Number	WDG-6112	
	UPC	816684006135	
Physical	Physical Dimensions (L x W x H)	2.675 x 1.04 x 0.636 inches   6.80 x 2.64 x 1.62 cm	
	Weight	WDG-6112	1 oz.   28.35 grams
		USB-C Cable	1.2 oz.   34.02 grams
Environmental	Operating Temperature Range	32°F to 185°F   0°C to 85°C	
	Enclosure Rating	Not rated for water or dust intrusion	
USB	Unit features male USB-C port and can connect directly to computer		
	Supports USB 2.0		
	Appears as a USB keyboard / Human Interface Device (HID) during normal operation		
	Appears as USB Mass Storage Device when in configuration mode		
Electrical	Unit is powered by the USB-C connection		
	Unit draws 50 mA MAX from USB-C Port		
	Unit provides +5 VDC output for powering credential readers (5 VDC @ 450 mA MAX)		
Additional Features	Includes 3 foot USB-C extension cable (female to male)		
	Supports OSDP and Wiegand credential readers		
	Removable 6-position terminal block for credential reader connection		
	Configurable with configuration file, create configuration file with tool hosted on <a href="http://www.cypressintegration.com">www.cypressintegration.com</a>		
	Configuration allows processing of up to 10 different credential formats simultaneously		
	Configuration allows specifying multiple fields for credential data (typically facility code and card number values) and adding keypresses of any key before, between, and after the multiple data fields		

## WDG-6112 Approximate Dimensions



## WDG-6112 and Wiegand Reader Diagram



## WDG-6112 and OSDP Reader Diagram

