

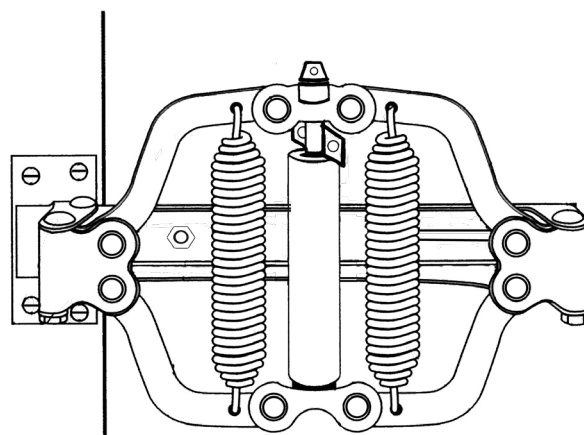


FEATURES

- Gently closes both small and large gates up to 125lbs.
- Pushes gate closed
- Adjustable closing speed
- Can be installed on top, bottom or middle of gate
- Recommended for pool, garden and barrier gates
- Can be used on lightweight (non fire-rated) doors
- Works best on gates with in-line/flush hinges



13"



7 1/2"

DIMENSIONS & SPECIFICATIONS

Dimensions:

Length: 7 1/2"

Width: 13"

Depth: 2 1/2"

Mounting Bracket Dimensions: 3 1/4" x 1 3/4"**Max. Gate Weight:** 125 lbs.**Max. Gate Width:** 54"**Max. Opening Angle:** 90 degrees**Min. Operating Temperature:** 10 degrees**Max. Operating Temperature:** 110 degrees**Type of Gate Material:** Vinyl, Wood, Steel, Chain Link**Closing/Latching Method:** Hydraulic**Material:** Steel**Finish:** Powder-Coated**Color:** Black**Hinge Arrangements:** In-line/flush hinges**Opening Pressure:** Variable, depending on gate size

The LockeyUSA Turtle Back TB100 Hydraulic Gate closer must mount on the hinge side/pull side of the gate in order to push the gate closed. The TB100 works best if the gate has in-line/flush hinges flush with the gate post with 1" or less gap.

ORDERING INFORMATION

Order #: TB100

