

SECO-LARM®

SM-226L-3 / SM-226R-3

WIDE - GAP

(OVERHEAD DOOR MOUNT)

SM-226L-3: N.O./N.C. Contacts with ABS plastic Magnet Housing and "L" Bracket Magnet Mounting.

SM-226R-3: N.O./N.C. Contacts with Round-backed Aluminum Magnet Housing.

ALARM CIRCUIT: Three-wire N.O./N.C. Contact for either closed or open circuit alarm systems. Simply connect the green (N.O.) and black (common) wires for closed circuit systems or the red (N.C.) and black wires for open circuit systems.

REED SWITCH: Gold under-plating with DEACTIVATED RHODIUM outer-plating. **SECO-LARM** contacts have a unique RHODIUM plating which has gone through a special oxygen treatment to DEACTIVATE the surface, thus eliminate the absorption of organic impurities, polymer growth during operation, and the possibility of contact freezing.

SWITCH HOUSING: Weatherproof die-cast aluminum constructed for surface-mounting on garage floor; able to withstand heavy vehicle pressure without damage. The switch is safely enclosed in an epoxy compound. A 24" flexible armored cable gives complete protection to the switch wiring.

MAGNET: Extra-strength Alnico 5 magnet allows a 2-3/4" operating gap.

MAGNET HOUSING/MOUNTING:

SM-226L-3: Magnet is housed in a high-impact weatherproof ABS plastic case and mounted on a garage door with an "L"-shaped bracket which minimizes the effect of steel doors on magnets.

SM-226R-3: Magnet is enclosed in an epoxy compound inside a round-backed aluminum housing which mounts directly to the garage door. The special shape discourages using the housing as a foothold when closing the door and offers no projecting edges to catch when the door is raised.

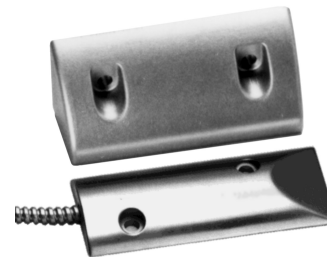
CONTACT LIFETIME: 50 million cycles.

RATING: 0.02Amp./100VDC (max.)
0.2Amp./10VDC (max.)
3W (max.)

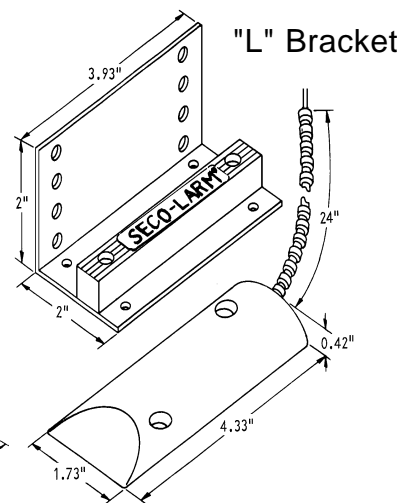
TEMPERATURE: -15°F to 160°F
(-25°C to 70°C).



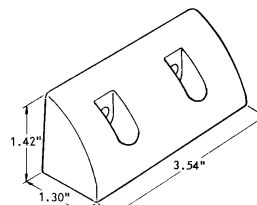
SM-226L-3



SM-226R-3



"L" Bracket



"Round" Bracket