



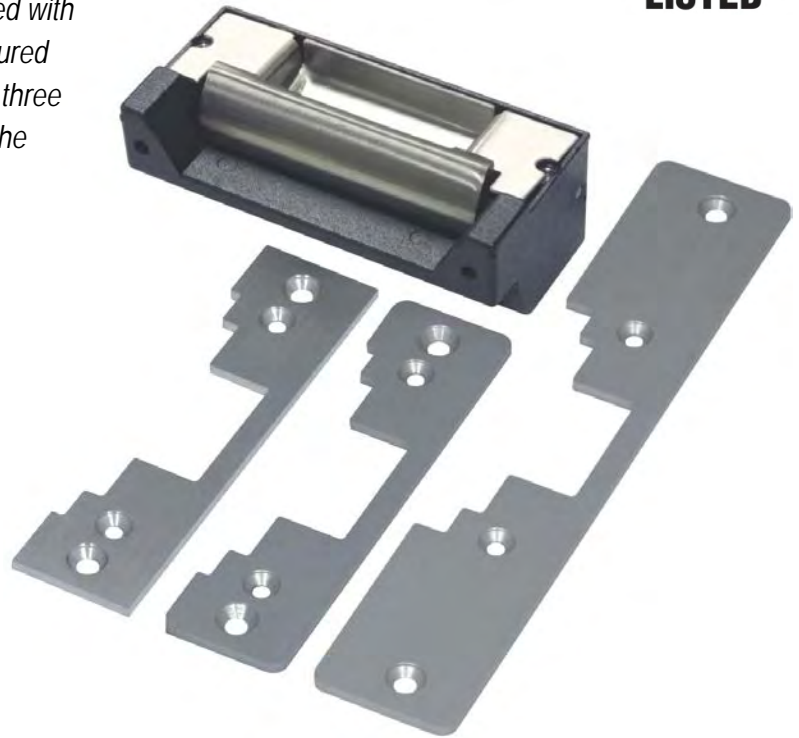
Universal Door Strike

SD-996C-NUQ 12/24 VDC, Fail-Safe or Fail-Secure

The **SECO-LARM®** Universal Door Strike can be used with virtually any cylindrical-locking system and can be configured for use in wood, aluminum, or metal doors. Included are three different-sized faceplates that can be easily installed on the strike to match the specific type of door frame.

Features:

- Includes 3 faceplates for nearly any door type
- UL 1304 Burglary
- Field-selectable for fail-safe or fail-secure operation
- Field-selectable dual-voltage 12/24 VDC operation
- Powered by a solenoid
- Reversible non-handed design fits either right-hand or left-hand doors
- Low profile: Strike is only 1 1/4" deep for use with hollow aluminum frames



Specifications:

Operating voltage	12 or 24 VDC ± 15%	
Current draw	12VDC	280mA@12VDC
	24VDC	140mA@24VDC
Operating temperature	14°-113°F (-10°-45°C)	
Operating humidity	85% ± 15%	
Dimensions	Aluminum	4 7/8" x 1 1/4" (124mm x 32mm)
	Hollow metal	4 7/8" x 1 1/4" (124mm x 32mm)
	Wood	7 15/16" x 1 7/8" (202mm x 37mm)

Also Available from SECO-LARM®:

No-Touch
Request-to-Exit Sensor



SD-927PKC-NEQ

Electromagnetic Lock



E-941SA-1200

Stand-Alone Keypad



SK-1011-SQ

Request-to-Exit Plate



SD-7202GC-PEQ

Access Control
Power Supply



EAP-5D1Q

SECO-LARM®

16842 Millikan Ave, Irvine, CA 92606

Tel: 949-261-2999 / 800-662-0800 • Fax: 949-261-7326

sales@seco-larm.com • www.seco-larm.com



Copyright 2013 © SECO-LARM U.S.A, Inc. All rights reserved. The SECO-LARM policy is one of continual development. For that reason, SECO-LARM reserves the right to change prices and specifications without notice. SECO-LARM is not responsible for misprints.

SECO-LARM® ENFORCER® CRIMEBUSTER® CBA SLI®

PISD-996C-NUQ.docx