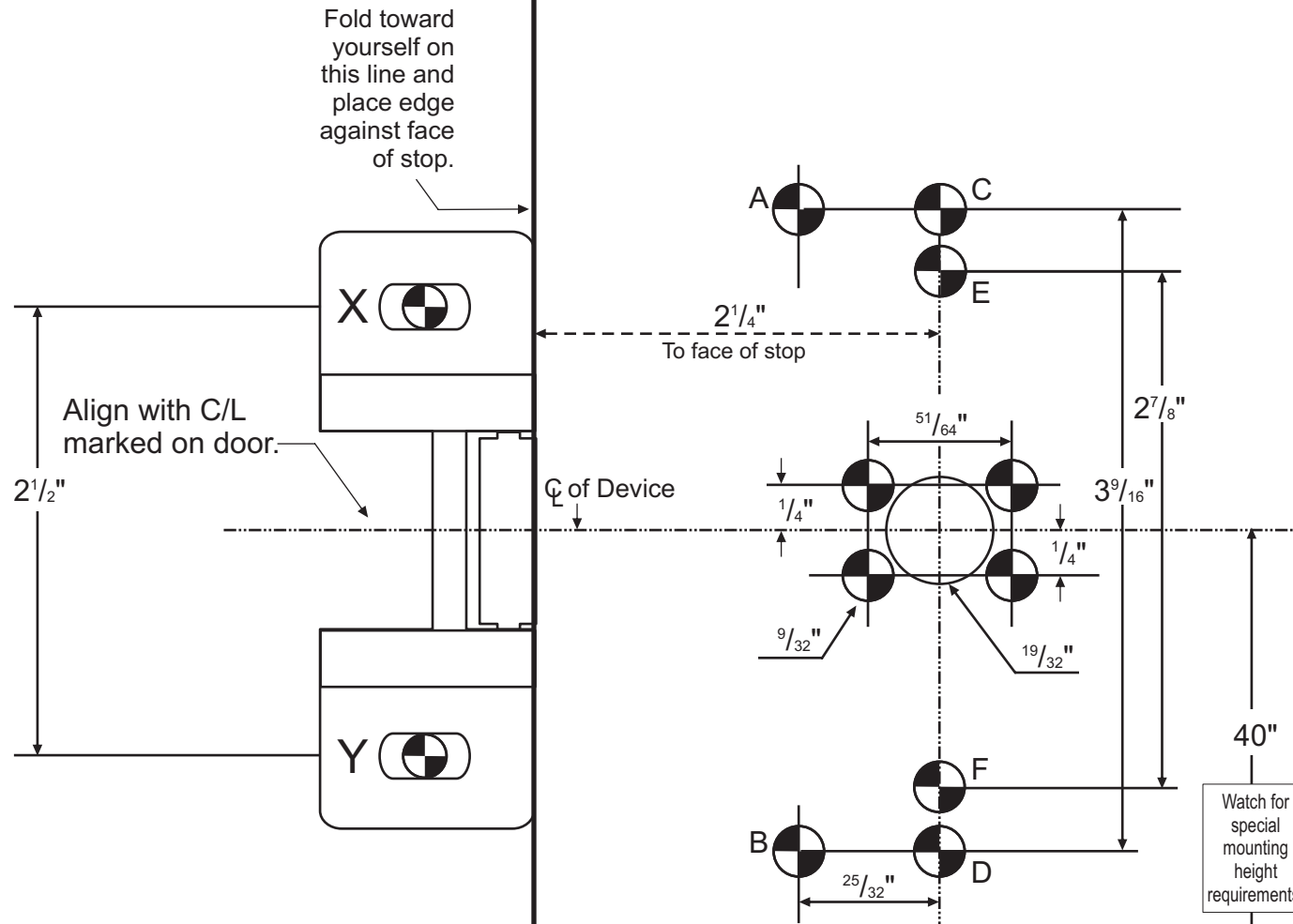


# TEMPLATE

Rim Exit Device  
SD-962AR-36A

For Left-Hand Door  
(For right-hand door, turn  
this page upside down.)



## Door - Inside Face

### Mounting holes for device chassis (A,B,C,D,E,F)

For metal door application:

Use #12 - 24 Tap.

For sex bolt application:

1 1/32" Inside hole - 1 3/32" outside hole.

For Right-Hand Door  
(For left-hand door, turn  
this page upside down.)

**SECO-LARM®**  
www.seco-larm.com