

7-Day Timer

SA-027WQ

Program up to 60 flexible events

Features:

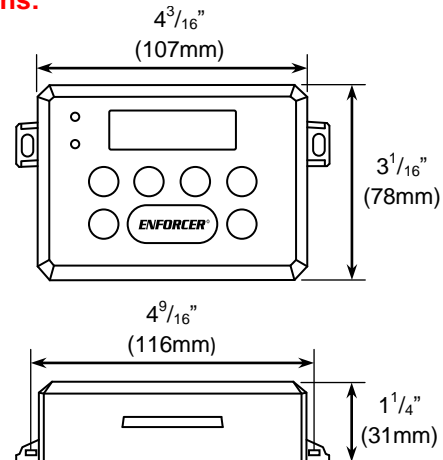
- Enclosed terminals for a safer installation
- 12~24 VAC/VDC
- Holiday function (up to 99 days)
- Easy-to-read backlit LCD
- Adjustable output time
- Programmable security code
- 12 or 24-Hour clock format
- 16 Schedules including daily, weekly, weekends, etc.
- Memory saved if power fails
- Form C relay output (10A@120VAC/28VDC)
- Egress input terminal
- Mode selection button for manual relay operation

Specifications:

Operating voltage	12~24 VAC/VDC	
Current draw	Standby	15mA@12VDC
	Active	70mA@12VDC
Relay rating	10A@120VAC/28VDC	
Backup battery	1 x CR-2016 (included)	
Weight	4.6-oz (130g)	
Dimensions	4 ³ / ₁₆ " x 3 ¹ / ₁₆ " x 1 ¹ / ₄ " (107 x 78 x 31 mm)	



Dimensions:



Related Products:



SA-026Q
Miniature
Timer Module



SA-025EQ
Delay Egress
Timer



SA-025Q
Multi-Purpose
Programmable Timers



SA-027Q
365-Day
Annual Timer

SECO-LARM

16842 Millikan Ave • Irvine, CA 92606

Tel: 949-261-2999 / 800-662-0800 • Fax: 949-261-7326

sales@seco-larm.com • www.seco-larm.com



Copyright 2012 © SECO-LARM U.S.A., Inc. All rights reserved.
The SECO-LARM policy is one of continual development. For that reason, SECO-LARM reserves the right to change prices and specifications without notice. SECO-LARM is not responsible for misprints.

SECO-LARM ENFORCER® CRIMEBUSTER® CBA SLI

pi-SA-027WQ.docx