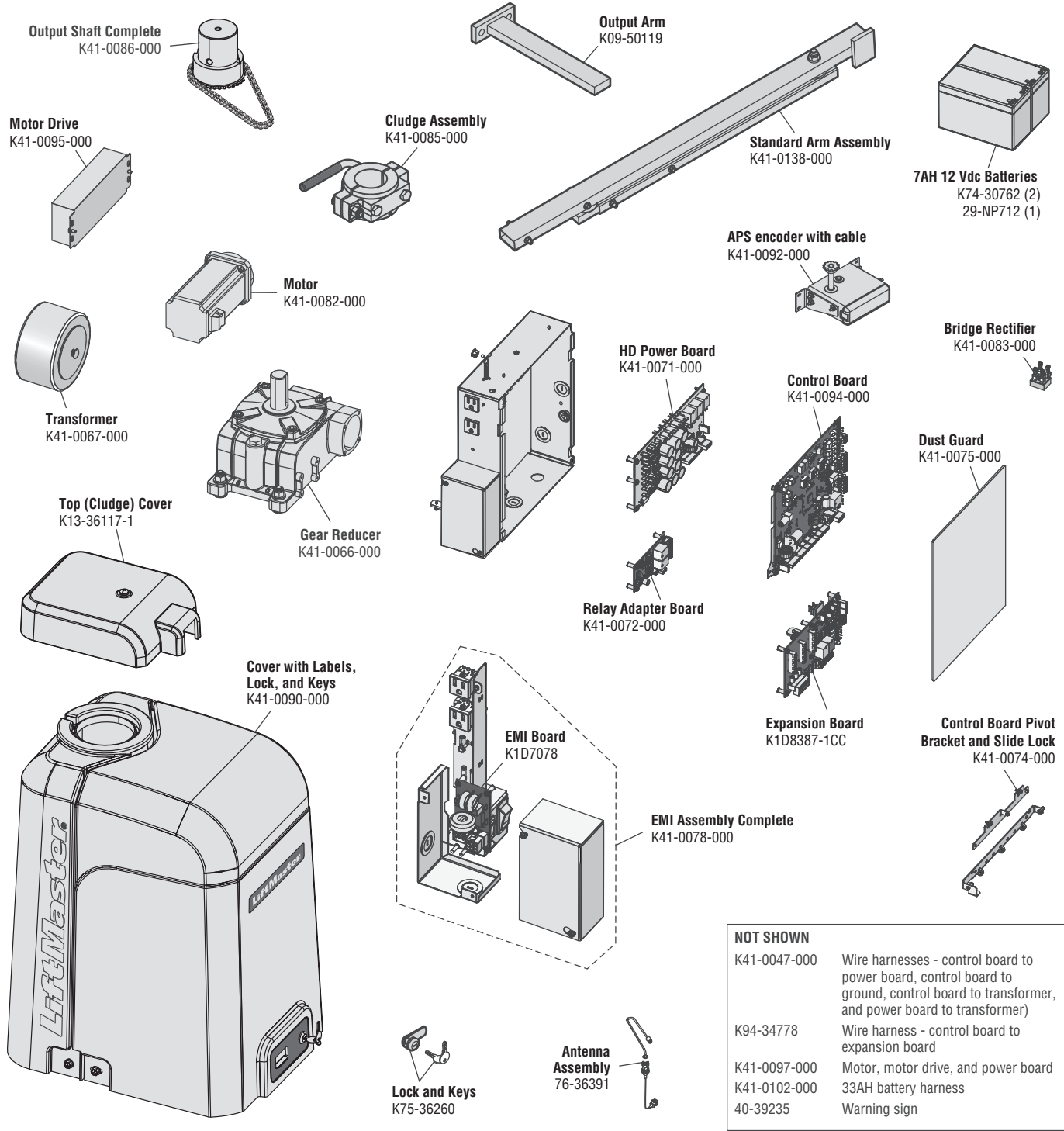


REPAIR PARTS



NOT SHOWN	
K41-0047-000	Wire harnesses - control board to power board, control board to ground, control board to transformer, and power board to transformer)
K94-34778	Wire harness - control board to expansion board
K41-0097-000	Motor, motor drive, and power board
K41-0102-000	33AH battery harness
40-39235	Warning sign