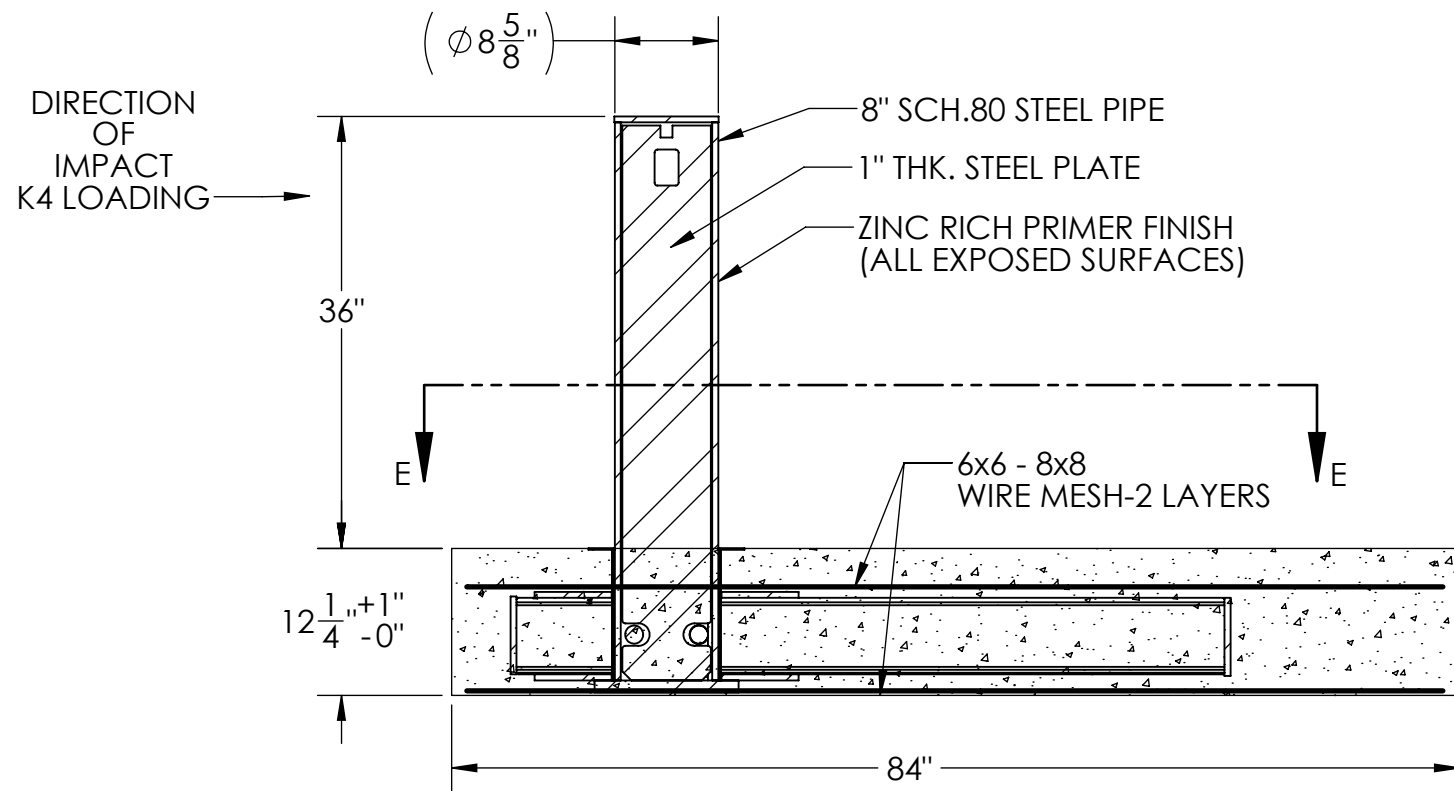
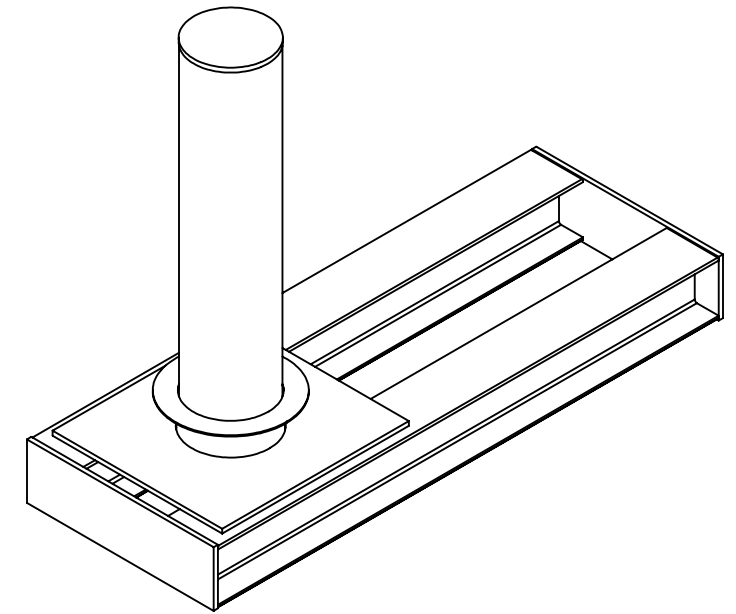


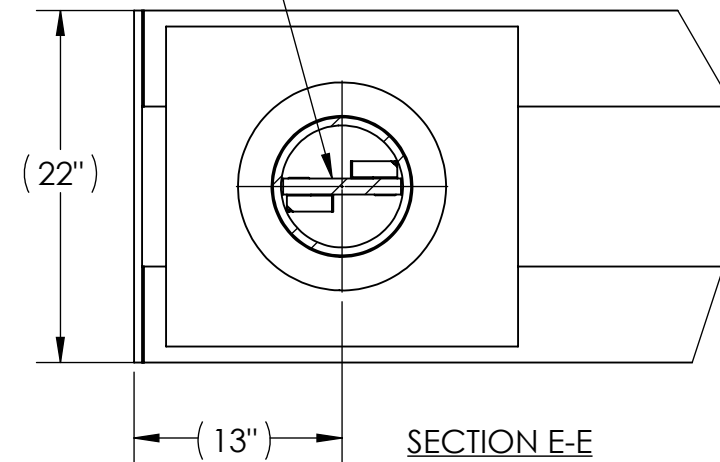
TOP VIEW



SECTION D-D



1" A36 STEEL PLATE



SECTION E-E

NOTE:
- Orders will not be processed until specification sheet is complete & signed.

NOTE:

- 1.) CONCRETE PER ASTM C-94, 3000 PSI MINIMUM @ 28 DAYS.
- 2.) REINFORCING STEEL SHALL MEET ASTM A185 FOR WELDED WIRE REINFORCEMENT.
- 3.) COMPACTED BACKFILL SHALL ATTAIN A DRY DENSITY EQUIVALENT TO 95% OF MAXIMUM OBTAINED IN ASTM D-698. SELECT SOIL OR BACKFILL SHALL BE PLACED IN LAYERS NOT EXCEEDING 6" IN THICKNESS.
- 4.) CONCRETE SHALL FILL VOIDS IN BOLLARD BASE.
- 5.) BOLLARD APPROX. WEIGHT: 265 LBS.
BOLLARD FRAME APPROX. WEIGHT: 450 LBS.

Company: _____

Project Name: _____

Signee's Name Written Clearly: _____ Date: _____

Authorized Signature: _____

SIZE B	PRODUCED BY :	JMG	REV :
	PRODUCED ON :	6/12/14	SHEET : 1 OF 2

CALPIPE INDUSTRIES
Incorporated

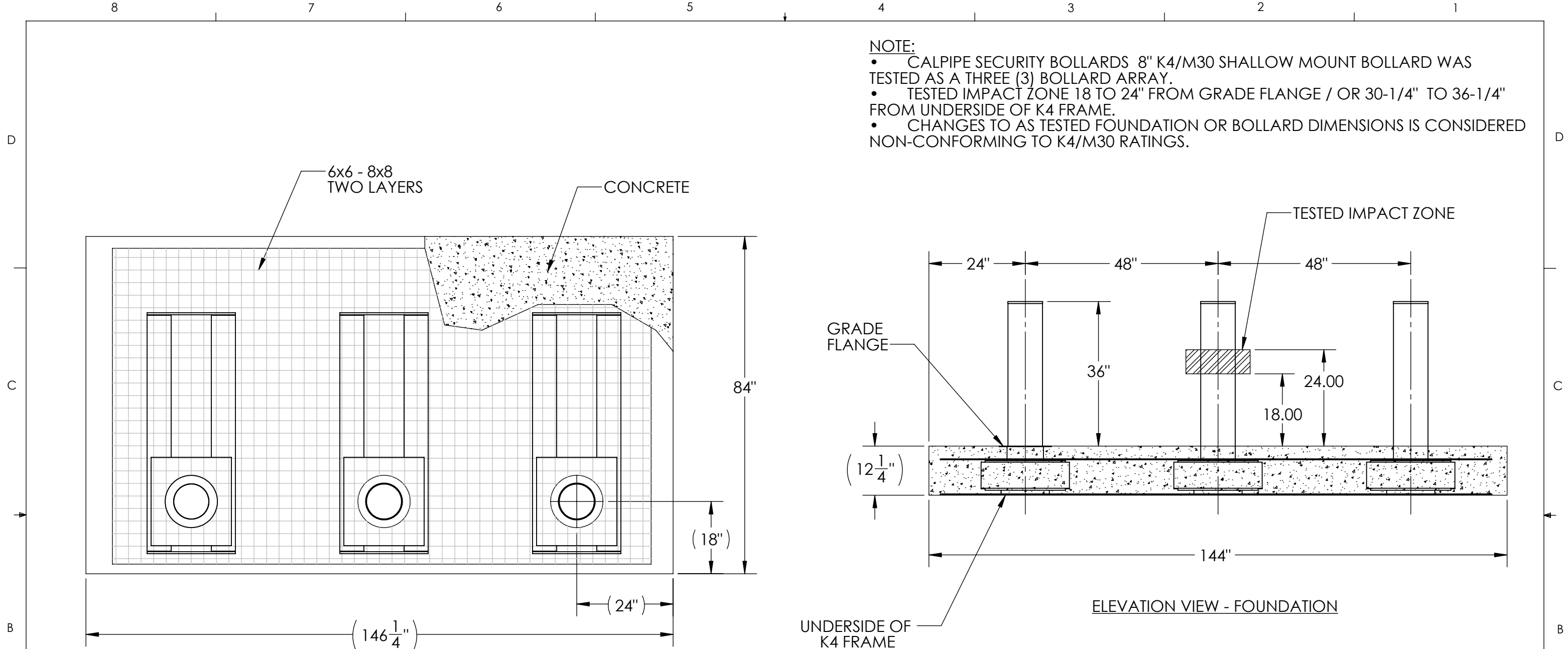
19440 S. DOMINGUEZ HILLS DR.
RANCHO DOMINGUEZ, CA. 90220

www.CalPipeBollards.com
562.803.4388 Direct
562.803.9885 Fax

PROPRIETARY AND CONFIDENTIAL
THE INFORMATION CONTAINED IN THIS
DRAWING IS THE SOLE PROPERTY OF
CALPIPE INDUSTRIES INC. ANY
REPRODUCTION IN PART OR AS A WHOLE
WITHOUT THE WRITTEN PERMISSION OF
CALPIPE INDUSTRIES INC. IS PROHIBITED

UNLESS OTHERWISE SPECIFIED:
DIMENSIONS ARE IN INCHES
TOLERANCES:
FRACTIONAL ± 1/4
ANGULAR: MACH ± 1 BEND ± 1
TWO PLACE DECIMAL THREE ± 0.010
PLACE DECIMAL ± 0.005

PDT8080SMR/F
REMOVABLE/ FIXED K4/M30 SHALLOW MOUNT



PLAN VIEW - FOUNDATION

ELEVATION VIEW - FOUNDATION

SIZE B	PRODUCED BY :	JMG	REV :	
	PRODUCED ON :	6/12/14	SHEET :	2 OF 2

CALPIPE INDUSTRIES
Incorporated

19440 S. DOMINGUEZ HILLS DR.
RANCHO DOMINGUEZ, CA. 90220

www.CalPipeBollards.com
562.803.4388 Direct
562.803.9885 Fax

PROPRIETARY AND CONFIDENTIAL
THE INFORMATION CONTAINED IN THIS
DRAWING IS THE SOLE PROPERTY OF
CALPIPE INDUSTRIES INC. ANY
REPRODUCTION IN PART OR AS A WHOLE
WITHOUT THE WRITTEN PERMISSION OF
CALPIPE INDUSTRIES INC. IS PROHIBITED

UNLESS OTHERWISE SPECIFIED:
DIMENSIONS ARE IN INCHES
TOLERANCES:
FRACTIONAL ± 1/4
ANGULAR: MACH ± 1 BEND ± 1
TWO PLACE DECIMAL THREE ± 0.10
PLACE DECIMAL ± 0.05

PDT8080SMR/F
REMOVABLE K4/M30 SHALLOW MOUNT