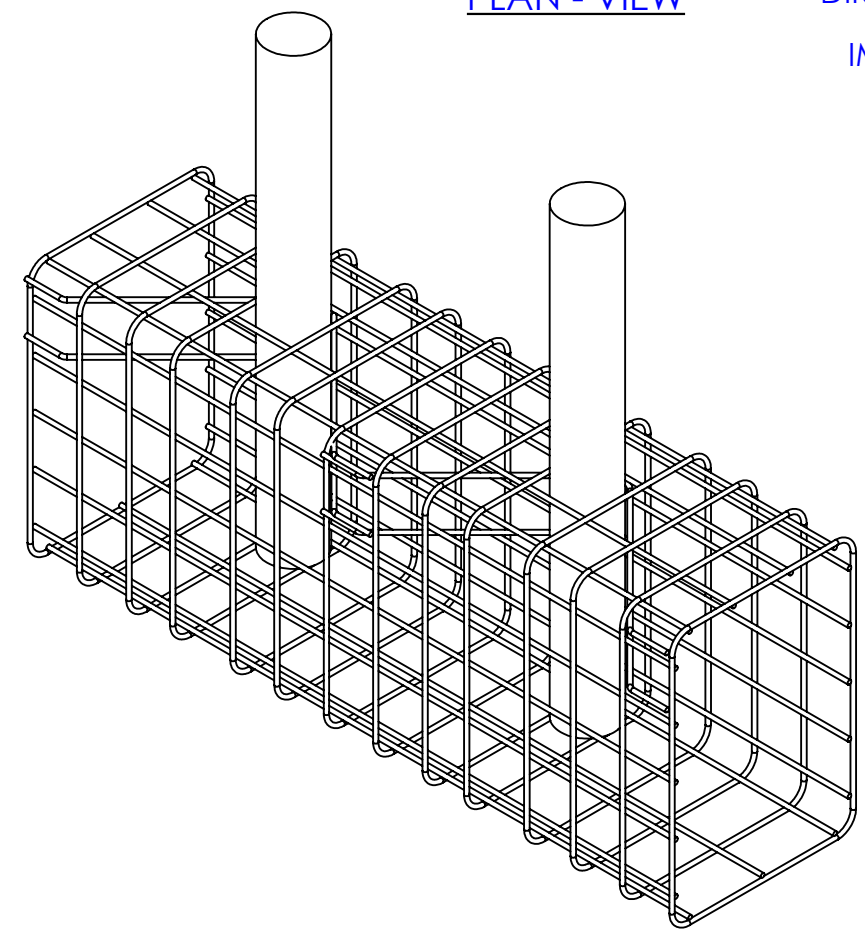


PLAN - VIEW

DIRECTION OF IMPACT



NOTES:

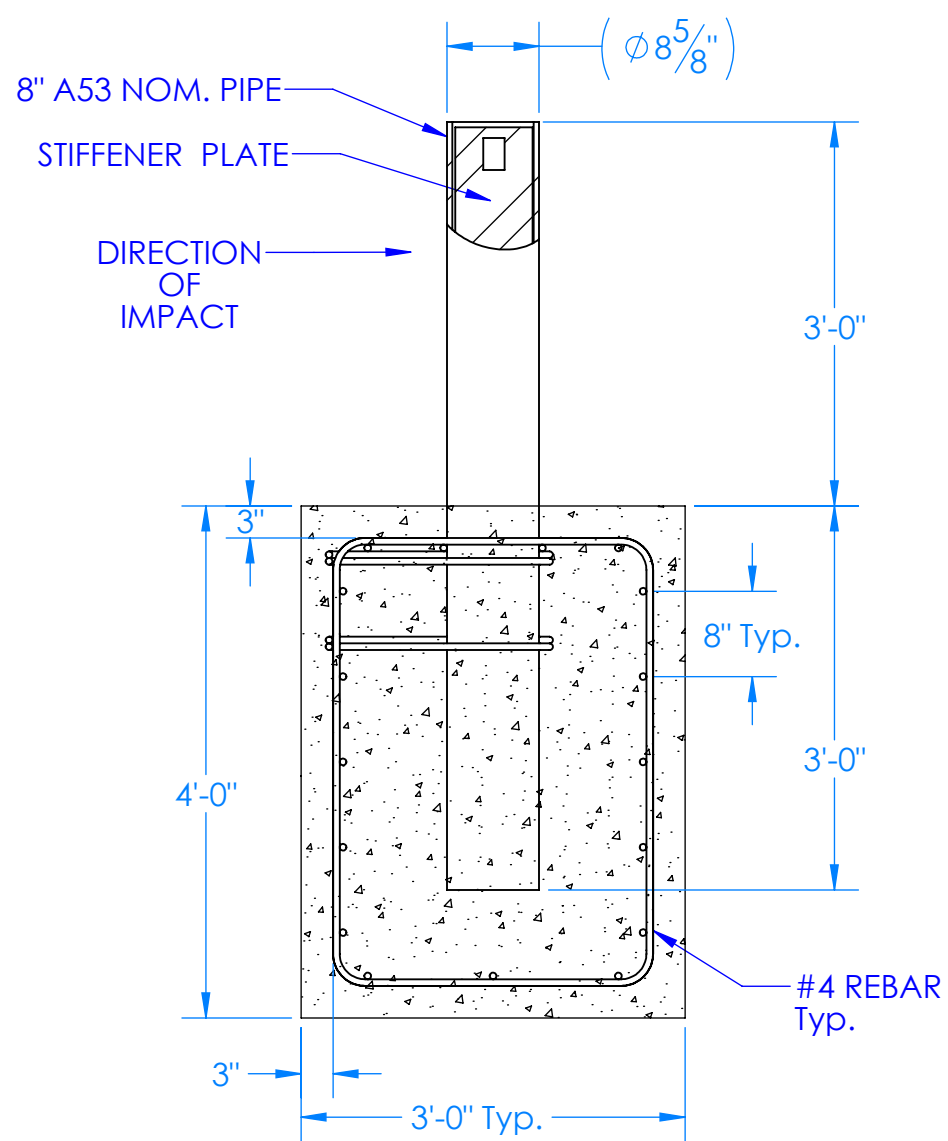
1. CONCRETE PER ASTM C-94, 3000 PSI MINIMUM @ 28 DAYS.
2. REINFORCING STEEL TO BE ASTM A-615, DEFORMED BILLET.
3. COMPACTED BACKFILL SHALL ATTAIN A DRY DENSITY EQUIVALENT TO 95% OF THE MAXIMUM OBTAINED IN ASTM D-698. SELECT SOIL OR BACKFILL SHALL BE PLACED IN LAYERS NOT EXCEEDING 6" IN THICKNESS.
4. MINIMUM SOIL BEARING PRESSURE SHALL BE 2000 PSF FOR IHS DESIGN. SPECIFIC SITE CONDITIONS MAY REQUIRE ENGINEERING.

SPECIFICATION:

Bollard Material 8" SCH.80 A53 Pipe

Bollard Finish:

- Powdercoat Finish RAL #: \_\_\_\_\_
- H.D.G.
- Other: \_\_\_\_\_



ELEVATION - END VIEW

**DESIGN FOR M30 / K4 LOADING**

Company: \_\_\_\_\_

Project Name: \_\_\_\_\_

Signee's Name Written Clearly: \_\_\_\_\_ Date: \_\_\_\_\_

Authorized Signature: \_\_\_\_\_

<b>SIZE B</b>	<b>DRAWN BY: SPL</b>	<b>REV:</b>
	<b>DRAWN DATE: 9/23/2015</b>	<b>SHEET : 1 OF 1</b>



19440 S. DOMINGUEZ HILLS DR.  
RANCHO DOMIGUEZ, CA. 90220,USA

www.CalPipeBollards.com  
562.803.4388 Direct  
310.885.1899 Fax

PROPRIETARY AND CONFIDENTIAL  
THE INFORMATION CONTAINED IN THIS DRAWING IS THE SOLE PROPERTY OF CALPIPE INDUSTRIES INC. ANY REPRODUCTION IN PART OR AS A WHOLE WITHOUT THE WRITTEN PERMISSION OF CALPIPE INDUSTRIES INC. IS PROHIBITED

UNLESS OTHERWISE SPECIFIED:  
DIMENSIONS ARE IN INCHES  
TOLERANCES:  
FRACTIONAL ± 1/4  
ANGULAR: MACH ± 1 BEND ± 1  
TWO PLACE DECIMAL THREE ± 0.010  
PLACE DECIMAL ± 0.005

**PDT8080F- 8" BOLLARD FIXED**