

4K HDMI® Switchers

MVS-AH31-01NQ 4K 3x1 HDMI Switcher

MVS-AH51-01NQ 4K 5x1 HDMI Switcher



Features:

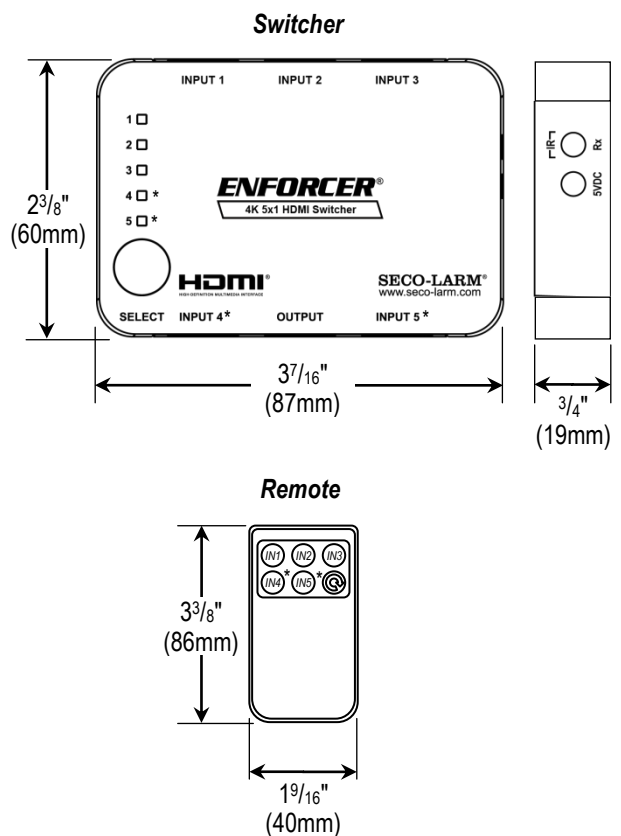
- Add up to five HDMI inputs to almost any high-definition TV or HDMI display
- Supports up to 4K/2K resolution and 3D video
- Individual status LEDs for each HDMI input
- Switch will automatically select the active input for added convenience
- Includes remote control for switching between inputs



Specifications:

Model	MVS-AH31-01NQ	MVS-AH51-01NQ
Type	HDMI Switcher	
Input video signal	3.3V	
Input DDC signal	5Vp-p (TTL)	
Maximum single link range	4K*2K@30hz	
Deep color	48bit	
Video formats supported	High-speed HDMI, HDCP 1.4	
Audio formats supported	LPCM, Dolby-AC3, DTS7.1, DSD	
Output video	HDMI	
Resolutions supported	4K/1080p/1080i/720p/576p/576i/480p/480i	
Video amplifier bandwidth	10.2Gbps	
Video input connector	3x HDMI Type A 19-pin female	5x HDMI Type A 19-pin female
Max. input cable length	24AWG (15m), 26AWG (10m), 28AWG (5m)	
Video output connector	1x HDMI Type A 19-pin female	
Max. output cable length	24AWG (15m), 26AWG (10m), 28AWG (5m)	
IR pass-through	38kHz	
Operating voltage	5VDC	
Power supply	USB Power	
ESD protection	±8kV (air-gap discharge), ±4kV (contact discharge)	
Current draw	150mA@5VDC	250mA@5VDC
Operating temperature	32°~104° F (0°~40° C)	
Operating humidity	20~90% RH (no condensation)	
Dimensions	37/16"x23/8"x3/4" (87x60x19 mm)	
Weight	2.1-oz (60g)	

Overview:



* MVS-AH51-01NQ only

SECO-LARM® U.S.A., Inc.

16842 Millikan Avenue, Irvine, CA 92606

Phone: (949) 261-2999 | (800) 662-0800 Fax: (949) 261-7326

Website: www.seco-larm.com Email: sales@seco-larm.com



Copyright 2016 © SECO-LARM U.S.A., Inc. All rights reserved. All trademarks are the property of SECO-LARM U.S.A., Inc. or their respective owners. The SECO-LARM policy is one of continual development. For that reason, SECO-LARM reserves the right to change prices and specifications without notice. SECO-LARM is not responsible for misprints.

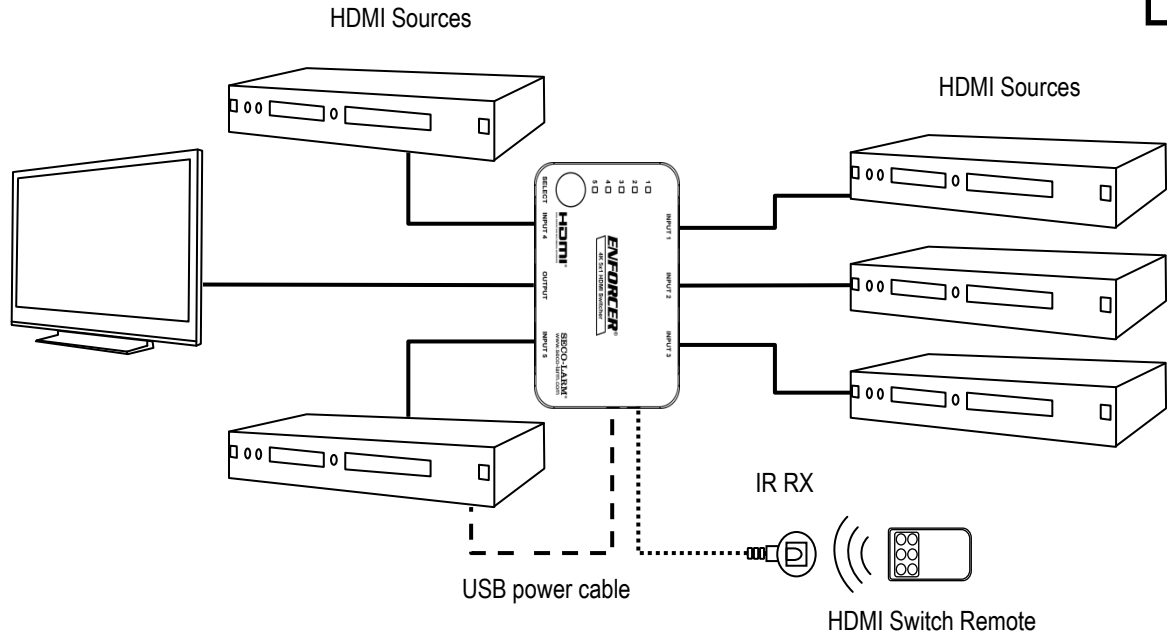
SECO-LARM® ENFORCER® CRIMEBUSTER® CBA SLI®

PL_MVS-AHx1-01NQ_160517.docx

Sample Application:

Cable Legend:

- HDMI
- - - Power
- IR



For maximum cable length, see Specifications.

Also Available from SECO-LARM®:

4K HDMI Splitters



MVD-AH14-01Q

MVD-AH12-01Q	2 HDMI outputs
MVD-AH14-01Q	4 HDMI outputs
MVD-AH18-01Q	8 HDMI outputs

- Supports 3D video
- Supports 4K resolution
- EDID management settings

High-Speed HDMI Cables

MC-1102-18NQ	1.5ft (0.5m), 28AWG
MC-1102-03FQ	3ft (1m), 28AWG
MC-1102-06FQ	6m (1.83m), 28AWG
MC-1102-10FQ	10ft (3m), 28AWG
MC-1102-16FQ	16ft (5m), 28AWG
MC-1102-20FQ	20ft (6m), 26AWG
MC-1102-25FQ	25ft (7.6m), 26AWG
MC-1102-30FQ	30ft (9m), 26AWG
MC-1102-50FQ	50ft (15m), 26AWG



HDMI®
HIGH SPEED
with ETHERNET

- Supports 3D video
- Supports 4K resolution
- Supports Ethernet
- Lifetime warranty

SECO-LARM® U.S.A., Inc.

16842 Millikan Avenue, Irvine, CA 92606

Phone: (949) 261-2999 | (800) 662-0800 Fax: (949) 261-7326

Website: www.seco-larm.com Email: sales@seco-larm.com



Copyright 2016 © SECO-LARM U.S.A., Inc. All rights reserved.
All trademarks are the property of SECO-LARM U.S.A., Inc. or their respective owners.
The SECO-LARM policy is one of continual development. For that reason, SECO-LARM reserves the right to change prices and specifications without notice. SECO-LARM is not responsible for misprints.

SECO-LARM® ENFORCER® CRIMEBUSTER® CBA SLI®

PL_MVS-AHx1-01NQ_160517.docx