

# SensingEdge

## Applications

- **Slide Gate Draw-In Posts**
- **Pockets & Pivot Points**
- **Barrier Arms**

The small profile of the MG110 sensing edge is specially designed to protect draw-in posts, pockets, and pivot points in gate installations. With touch sensitive signaling, the MG110 is designed to stop and/or reverse when contact is made.

The MG110 kit includes: (1) MG110 sensing edge, (1) ME110-C mounting channel, (2) molded nylon end caps, and (2) stainless steel self-drilling mounting screws.



## OPTIONS

- Configurations:
  - 2-Wire 10K resistive monitored
  - 2-Wire non-monitored

## TECHNICAL SPECIFICATIONS

Color:	Black
Length:	Stock lengths: 4 ft., 5 ft. Per specification +/- .25"
Lead Wire:	SJTO, 22 gauge, 2' length
Sensitivity:	Nominal 4-7 lbf
Electrical Maximum:	24 volts AC/DC, 1/2 amp
Contact Element:	Alumaglas®
Materials:	Flexible PVC
Mounting Channel:	Rigid PVC
End Caps:	Molded nylon with stainless steel screws
Temperature Range:	-30° F to +155° F
Wire Outlet Location:	Field selectable left or right

## FUNCTIONAL BENEFITS

- Touch sensitive signaling
- Small profile
- Easy to install
- Mounts vertically or horizontally
- ANSI/UL 325 Recognized Component

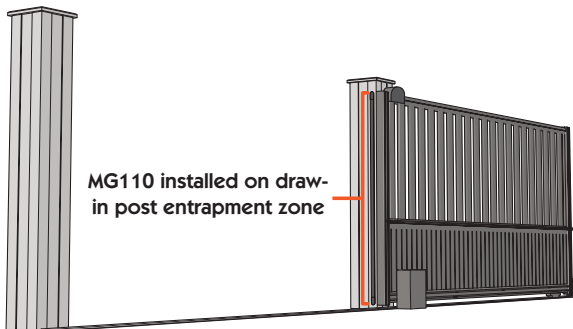


Model: MG110

# SensingEdge

## INSTALLATION

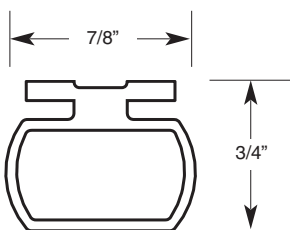
Pre-drill a 1/4" hole 1/4" from the ends of the ME110-C mounting channel. Place MG110 mounting channel in desired location. Drill 1/8" holes through channel and into mounting surface and attach channel to surface, as needed. Slide edge into mounting channel and secure caps to the mounting surface using the provided self-drilling screws. Wire to controls.



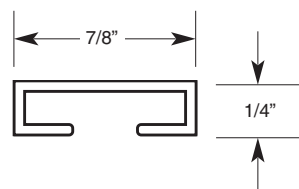
## CARE & MAINTENANCE

Minimum care is required for the MG110 since it is manufactured with only the most durable materials and the highest quality control standards. However, Sensing Edges should be examined regularly for cuts or punctures, which could damage internal components. Check wiring to be sure connections are secure. When properly maintained, the MG110 offers years of trouble-free operation.

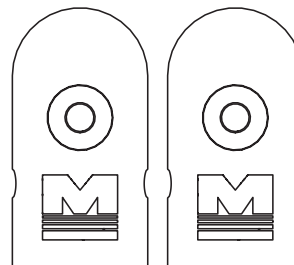
## KIT CONTENTS



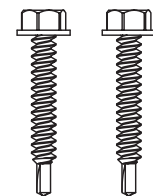
MG110  
Sensing Edge



ME110-C  
Mounting Channel

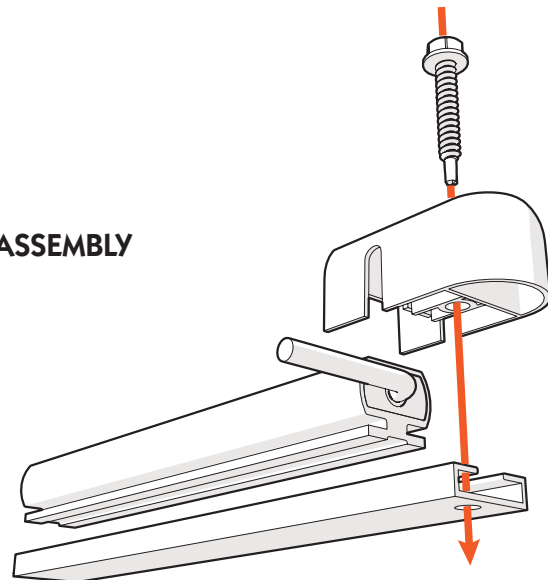


Sensing Edge  
End Caps (2)



Self-Drilling  
Mounting Screws (2)

## ASSEMBLY



Contact Miller Edge to ensure compatibility with your operating controls.  
U.S. Patent 6,571,512 Other patents apply.

MG110\_20190212

P.O. Box 159 • West Grove, PA 19390 • 610-869-4422 • Fax: 610-869-4423 • 800-220-3343  
6809 South Harl Avenue, Suite A • Tempe, AZ 85283 • 480-755-3565 • Fax: 480-755-3558 • 800-887-3343  
[www.milleredge.com](http://www.milleredge.com)