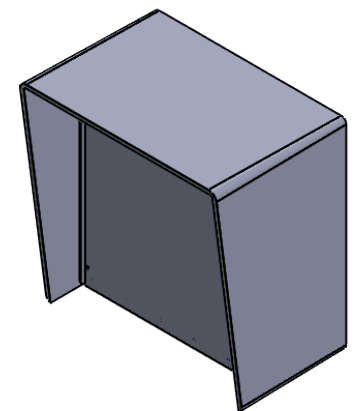


SECTION A-A

AVAILABLE CUTOUT AREA



PEDESTALPRO.COM
1-800-660-3072

UNLESS OTHERWISE SPECIFIED:

DIMENSIONS ARE IN INCHES
TOLERANCES:
FRACTIONAL: $\pm 1/32$
ANGULAR: $\pm 2^\circ$
TWO PLACE DECIMAL: ± 0.010
THREE PLACE DECIMAL: ± 0.005

INTERPRET GEOMETRIC
TOLERANCING PER:
ASME Y14.5 -2009

NAME	DATE
DRAWN	
CHECKED	

PROPRIETARY AND CONFIDENTIAL
THE INFORMATION CONTAINED IN THIS DRAWING IS THE SOLE PROPERTY OF PEDESTALPRO LLC. ANY REPRODUCTION IN PART OR AS A WHOLE WITHOUT THE WRITTEN PERMISSION OF PEDESTALPRO LLC IS PROHIBITED.

TITLE:
INSTALLATION

Tuesday, March 05,
2019 2:27:42 PM

WEIGHT:

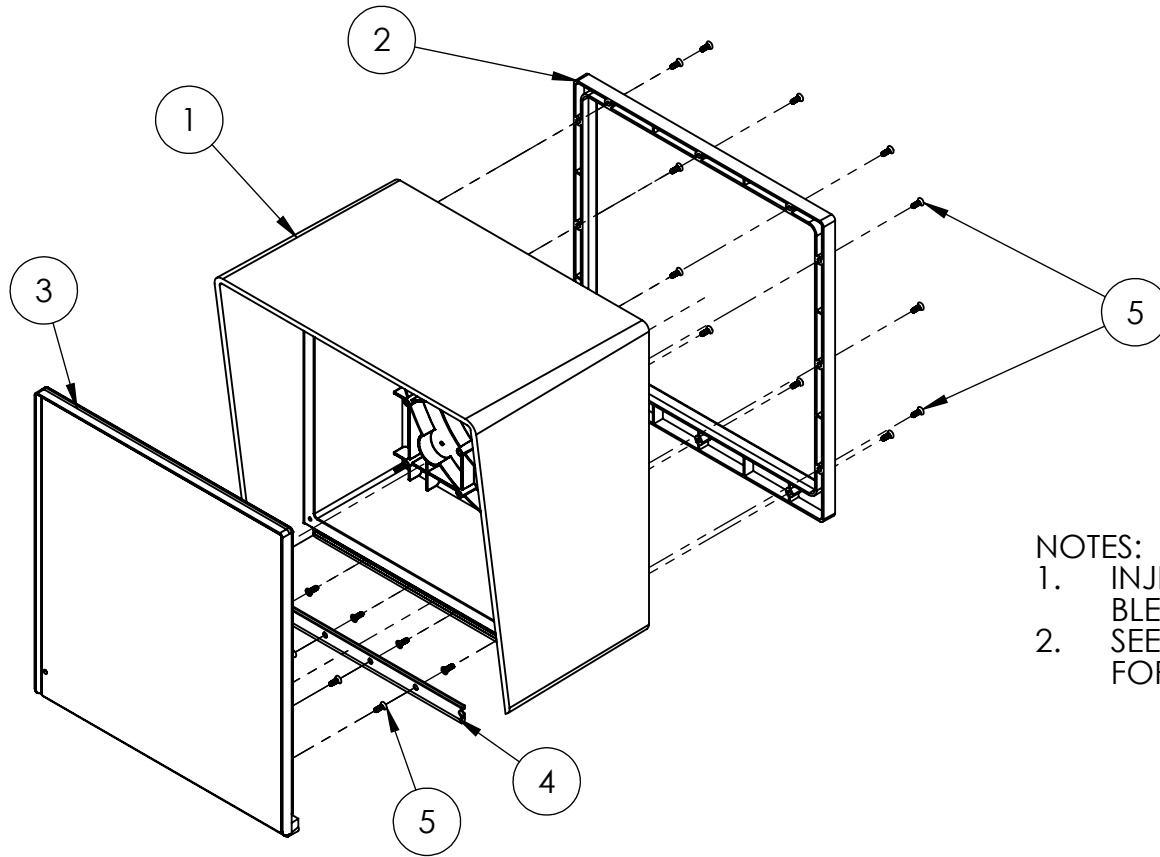
SIZE **A** PART NO.
MC-PC-10-E

NO SCALE

REV
0

SHEET 1 OF 6

ITEM NO.	PART NUMBER	DESCRIPTION	QTY.
1	MC-PC-10-E HOUSING	POLYCARBONATE HOUSING	1
2	MC-PC-10-E RETAINING RING	POLYCARBONATE RING	1
3	MC-PC-10-E DOOR	POLYCARBONATE DOOR	1
4	HINGE	PIANO HINGE	1
5	--	6-32 SS PHILLIPS FLAT HEAD SCREWS	20



- NOTES:
1. INJECTION MOLDED ABS/POLYCARBONATE BLEND, BLACK COLOR, UV STABLE.
 2. SEE STANDARD PACKAGING INSTRUCTIONS FOR PACKAGING PROCEDURE.



PEDESTALPRO.COM
1-800-660-3072

UNLESS OTHERWISE SPECIFIED:

DIMENSIONS ARE IN INCHES
TOLERANCES:
FRACTIONAL $\pm 1/32$
ANGULAR: $\pm 2^\circ$
TWO PLACE DECIMAL ± 0.010
THREE PLACE DECIMAL ± 0.005

INTERPRET GEOMETRIC
TOLERANCING PER:
ASME Y14.5 -2009

NAME	DATE
DRAWN	
CHECKED	

PROPRIETARY AND CONFIDENTIAL
THE INFORMATION CONTAINED IN THIS DRAWING IS THE SOLE PROPERTY OF PEDESTALPRO LLC. ANY REPRODUCTION IN PART OR AS A WHOLE WITHOUT THE WRITTEN PERMISSION OF PEDESTALPRO LLC IS PROHIBITED.

TITLE:
ASSEMBLY

Tuesday, March 05,
2019 2:27:42 PM

WEIGHT:

SIZE **A** PART NO.
MC-PC-10-E

NO SCALE

REV
0

SHEET 2 OF 6