

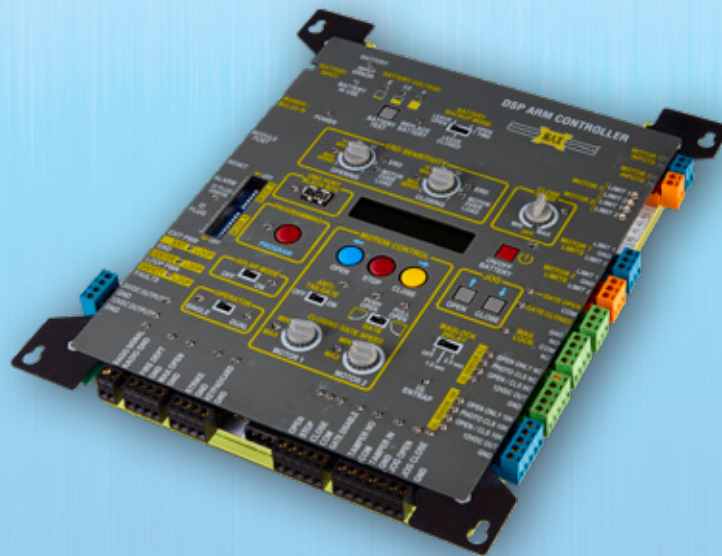


MAX ARM

Heavy Duty Linear Actuator
for Residential / Commercial use



Super quiet - Solar ready
Large diameter stainless steel output shaft



MAX AC CONTROL BOX

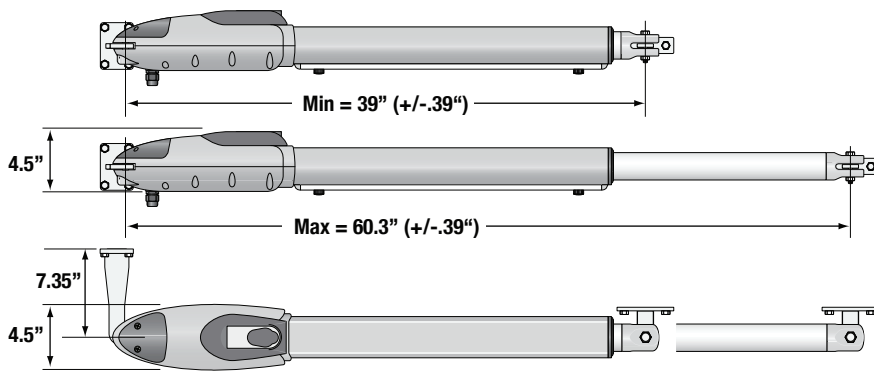
DSP Control

2 Years Warranty
or 100,000 Cycles
whichever comes first

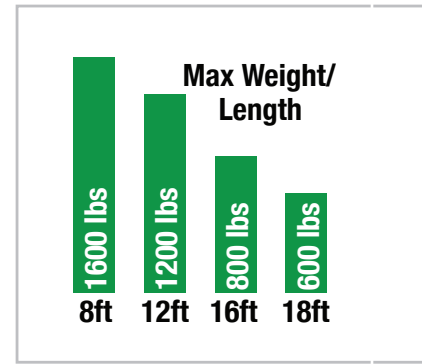


MAX ARM FEATURE LIST:

MECHANICAL SPECIFICATIONS



Gate Capacity



- Shipping weight of Actuator: Max Arm (27 lbs)
- Shipping weight of AC Control Box (38 lbs)
- Stainless steel output shaft
- Direct gear drive (no internal chains, belts, or pulleys)
- Mechanical and electrical gate release functions
- Corrosion protection: powder coated aluminum housing
- High cycles at extreme temperature ranges. No overheating
- Intelligent ramp-up and ramp-down for smooth gate operation

ELECTRICAL SPECIFICATIONS

- 24 Volt DC motor
- Two independently adjustable closing speed controls with 16 positions each
- Switchable 115/230 voltage selection
- ✓ Adaptive DSP motor control for advanced motion control
- Real time performance analyzer and event log (OBD PORT and Black Box)
- Magic Box enables low voltage wiring capabilities for remote power up to 1000 ft
- On-board switch for solar mode enables 18 milliamp idle in sleep mode
- Gold contact input connections and automobile grade connectors
- -4F to 165F (-20C to +74C) operational range including battery backup without a heater

✓ Unique to Max Arm

- Robust lightning protection, up to 20KVolts and 10KAmps on all inputs and outputs (35 channels) including loop detector input connections
- Two selectable 16 position safety obstruction sensors, auto adaptable to gate weight and size, for independent control of open and close cycles
- ✓ Independent closing speeds for primary and secondary
- Dual motor overcurrent safety shut off for additional protection
- Two 7amp hour batteries provides 500 cycles in case of power failure with three modes of battery backup, open once, leave open or leave closed
- On-board three button station
- On-board UL reset button

SECURITY SPECIFICATIONS

- High traffic intuitive loop management system for exceptional security
- Advanced security features with built-in audible and remote alarms
- Magnetic lock control relay outputs with selectable delay times
- Tamper alert relay output triggers “on” if gate is forced open
- Audible alarm if gate is tampered with or ERD is triggered for heightened security
- Steel cover with lock protects against intruders and vandalism
- Gate disable feature disables all inputs with exception of the fire department and Max Open input for increased security
- Built in transaction buffer
- Gate status outputs for gate monitoring
- Key activated jog function for emergency OPEN/CLOSE function
- Advanced anti-tailgate feature prevents unwanted intrusion

SAFETY SPECIFICATIONS

- UL 325/991 compliant Class I, II, III, and IV. CSA approved
- Built in advanced entrapment protection and alarm output
- Built in gate-in-motion alarm for industrial applications

Heavy Duty 2" Tubular Stainless Steel



Made of Aluminum



Magnetic Limit Sensors

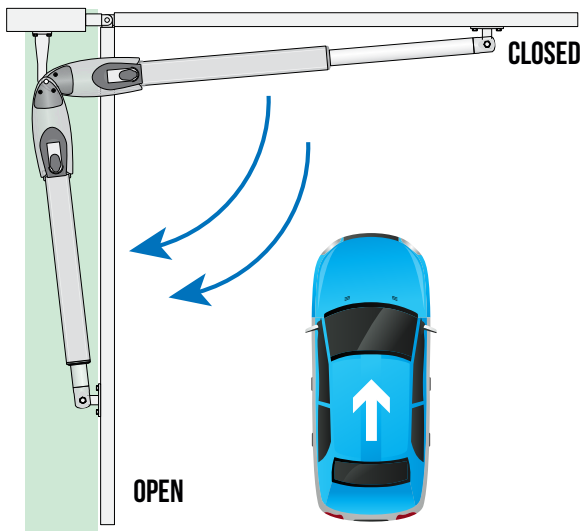


Limit 1
Position

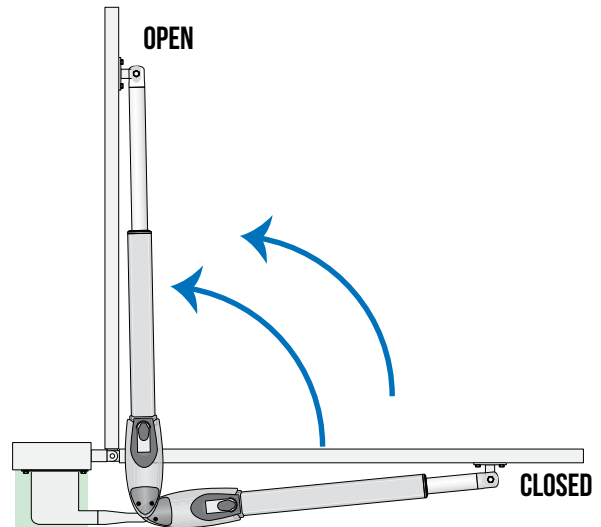
Limit 2
Position

TWO INSTALLATION OPTIONS

PULL OPEN
INSIDE PROPERTY



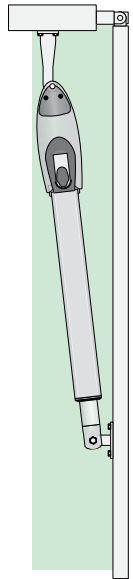
OPEN



PUSH OPEN
OUTSIDE PROPERTY

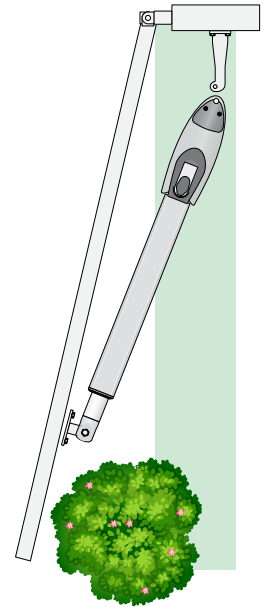


ASYMMETRIC SPEED CONTROL



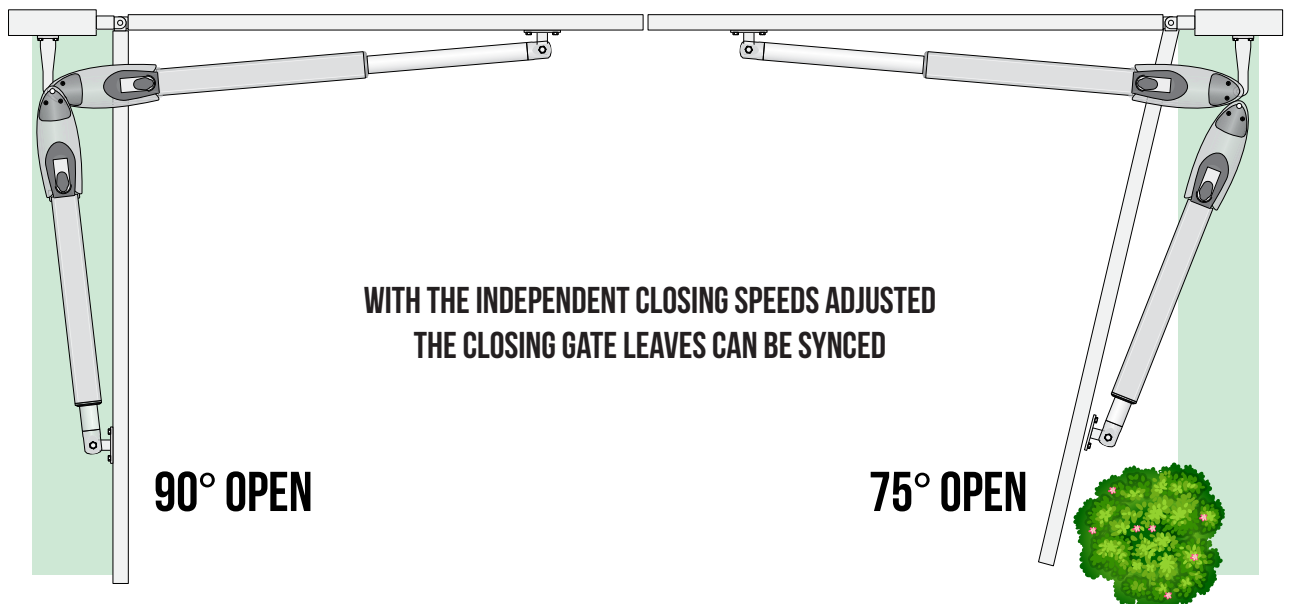
90° OPEN

OPENING ONE 90° AND THE OTHER IS 75°



75° OPEN

For asymmetric installations the two independent closing speeds can be adjusted to achieve a smooth closing sync. Whichever gate closes first, slow it down. This enables the installer to visually sync the closing cycle. This feature is unique to Maximum Control's actuators.

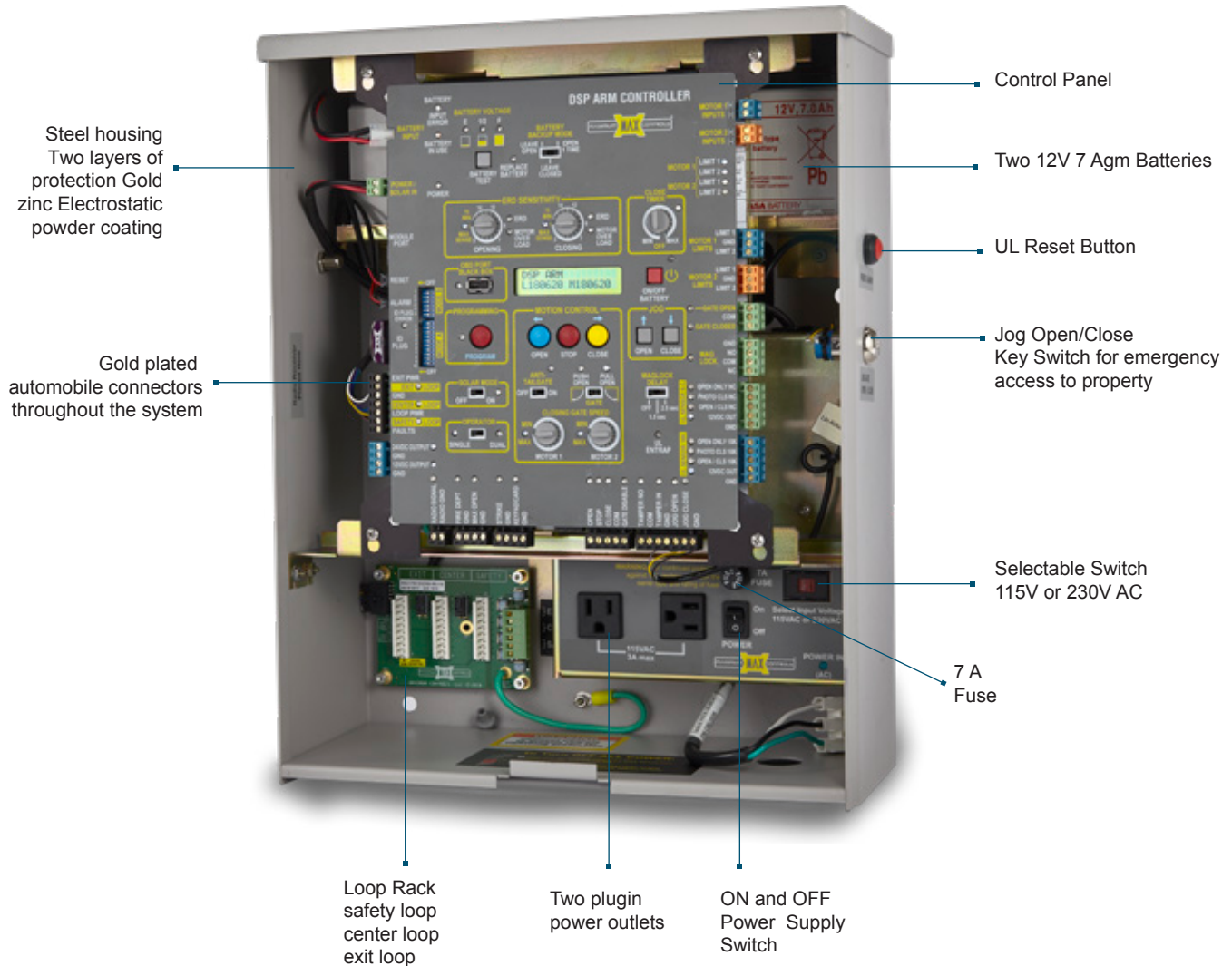


90° OPEN

**WITH THE INDEPENDENT CLOSING SPEEDS ADJUSTED
THE CLOSING GATE LEAVES CAN BE SYNCED**

75° OPEN

AC CONTROL BOX

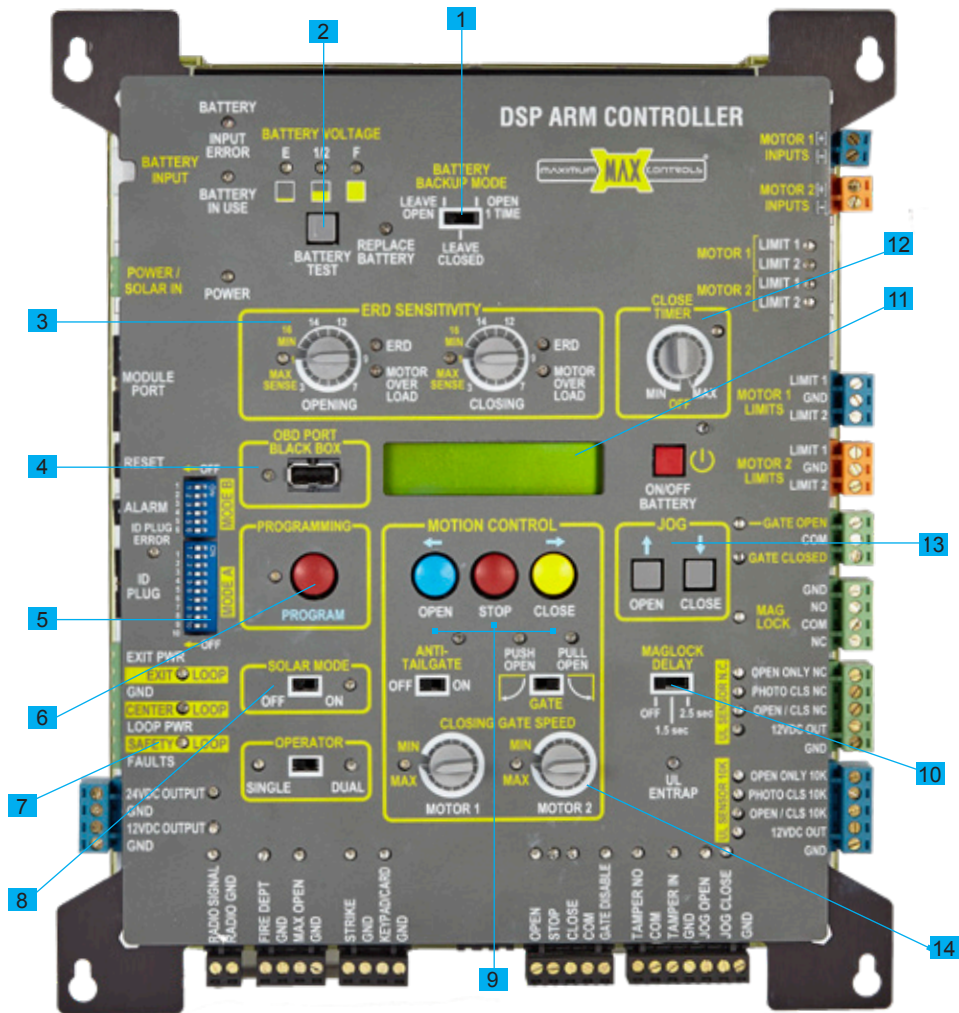


The AC Control Box features rugged metal construction that is gold zinc plated and powder coated. Each AC Control Box comes with an exterior UL reset button, a convenient jog key switch for emergency access or egress, a 10 amp power supply with two 115 VAC accessory outlets, two 7 amp hour batteries conveniently located behind the control panel, a loop rack and much more. A lockable steel cover finishes off this handsome design.

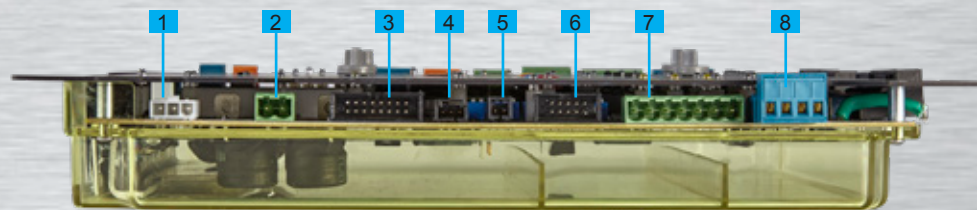
A convenient LCD display keeps you informed. Functional data and error messages are visible when an accessory failure or function is present. This makes troubleshooting and fuction monitoring a breeze.

These many features can be explored in our downloadable installation manual available on max.us.com

CONTROL FEATURES AND CONNECTIONS

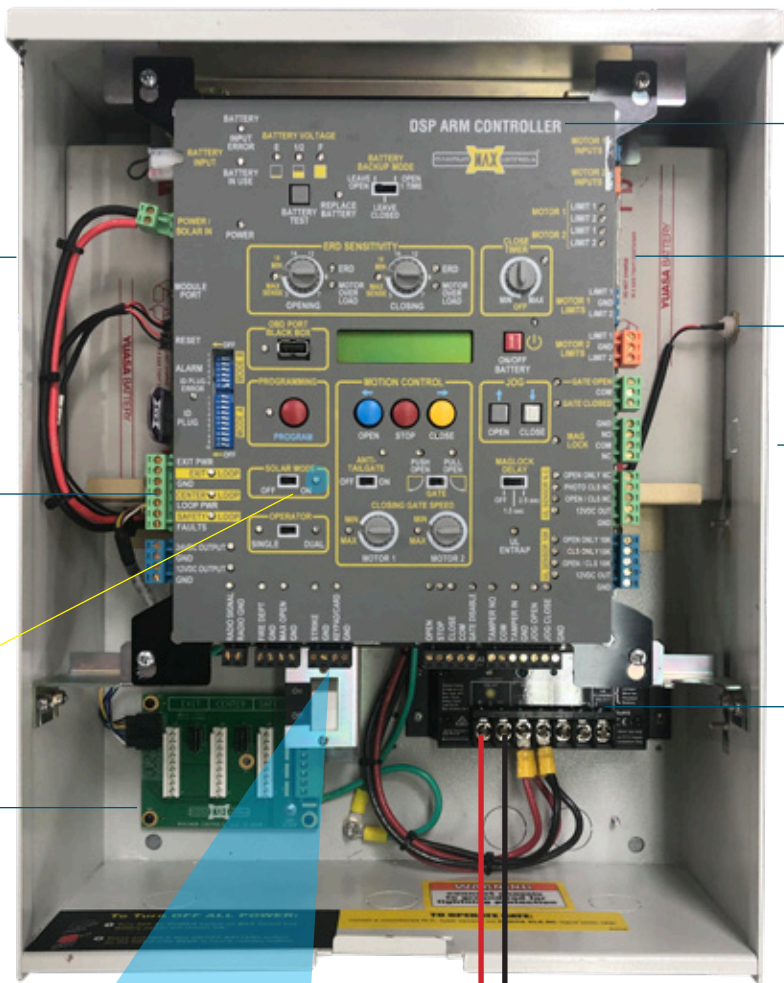


- | | |
|-------------------------------|---------------------------|
| 1. Battery backup mode switch | 8. Solar Mode Application |
| 2. Battery test switch | 9. Motion Control Buttons |
| 3. ERD Sensitivity | 10. Maglock Delay |
| 4. OBD Port | 11. LCD Display |
| 5. DIP Switches | 12. Close Timer Switch |
| 6. Program Button | 13. Jog Open/Close |
| 7. Loop Status | 14. Closing gate speed |



- | | |
|----------------------|-----------------------------------------------|
| 1. Battery Input | 5. UL Alarm |
| 2. Power/Solar Input | 6. ID Plug |
| 3. Module Port | 7. Loop Rack Input |
| 4. Reset | 8. 12vdc & 24vdc limited current power output |

MAX SOLAR CONTROL BOX



Steel housing
2-layer protection
Gold zinc
Electrostatic
powder coating

Control Panel

Two 12V 18 AH
(AGM Rechargeable Batteries)

UL Reset Button

Jog Switch
OPTIONAL

Solar Regulator
24V, 10A
(MORNING STAR)

Gold plated
automobile connectors
through the system

SOLAR MODE
Switch to enable
low power draw
for solar mode

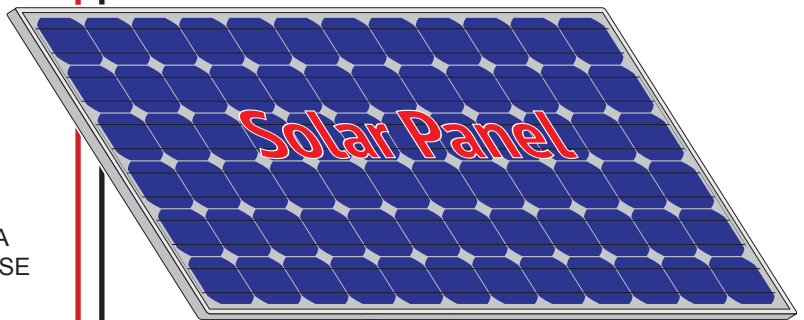
Loop Rack
OPTIONAL



30A
FUSE

ON and OFF
Power Supply Switch

Solar Regulator
24V, 10A
(MORNING STAR)



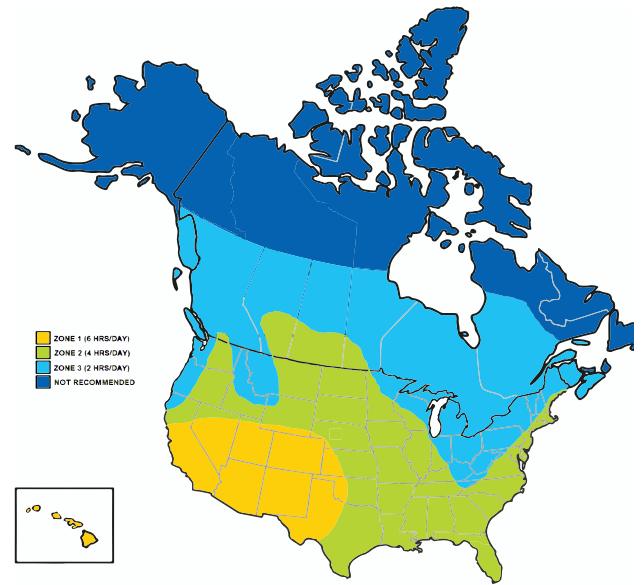
24V Solar Panel
Output: 36 V (Max) -
Open Circuit

Wire solar panel terminals to
solar regulator input
Caution: polarity matters

Select proper solar panel

SWING, ACTUATOR

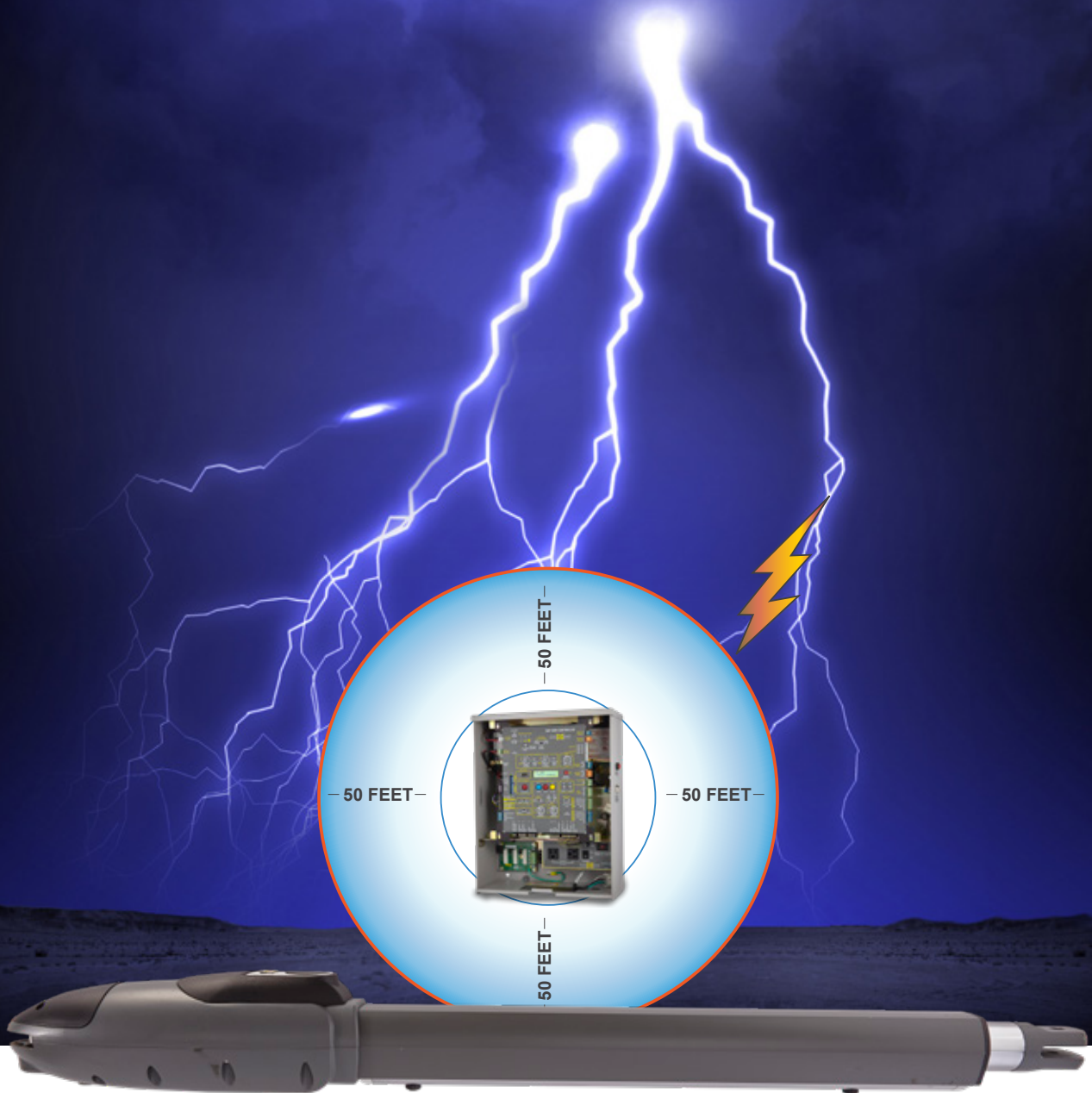
ACTUATOR		GATE SOLAR CYCLES PER DAY		
PANEL SIZE	Total System Current Draw (mA)	ZONE 1 (6 Hrs Sunlight/Day)	ZONE 2 (4 Hrs Sunlight/Day)	ZONE 3 (2 Hrs Sunlight/Day)
		18Ah BATTERIES	18Ah BATTERIES	18Ah BATTERIES
60 W	26	442.74	438.58	338.38
	50	408.16	400.16	296.12
	100	336.13	320.13	208.08
	200	192.08	160.06	32.01
	250	120.05	80.03	56.02
85 W	26	442.74	438.58	434.41
	50	408.16	400.16	392.16
	100	336.13	320.13	304.12
	200	192.08	160.06	128.05
	250	120.05	80.03	40.02
120 W	26	442.74	438.58	434.41
	50	408.16	400.16	392.16
	100	336.13	320.13	304.12
	200	192.08	160.06	128.05
	250	120.05	80.03	40.02
200 W	26	442.74	438.58	434.41
	50	408.16	400.16	392.16
	100	336.13	320.13	304.12
	200	192.08	160.06	128.05
	250	120.05	80.03	40.02



The map and daily cycle rate shown are approximations based upon the average solar radiation and the temperature effects on batteries in the given regions. Local geography and weather conditions may require additional solar panels.

USE LOW POWER accessories in order to minimize power draw. Each additional accessory draws power affecting the daily cycle rate.

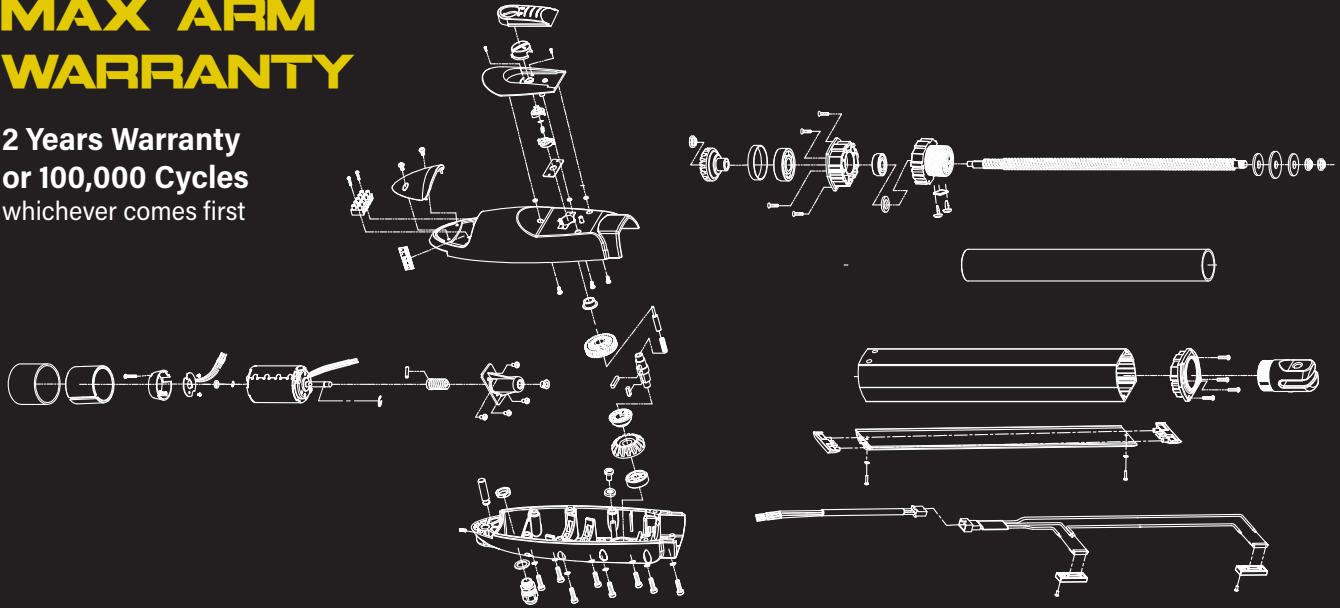
LIGHTNING PROTECTION



The Max Arm offers the most robust lightning protection available in the industry. The Max Arm protects all peripheral inputs, loop inputs, power inputs, relay outputs, and all communication lines (over 35 channels of protection) in $1/1,000,000,000$ of a second. With special emphasis on power supply protection, the Max Arm is guaranteed to withstand any lightning hit more than 50 feet away. Truly protected like no other operator in the world.

MAX ARM WARRANTY

2 Years Warranty
or 100,000 Cycles
whichever comes first



Maximum Controls LLC Warranty and Return Policy

Section I Coverage

- a. 2 years or 100,000 cycles whichever comes first on components
- b. 1 Year on batteries

Section II Not Covered

- a. Damages due to flooding
- b. Damages due to fire
- c. Damages due to negligence i.e. leaving the cover off in the rain, improper wiring of AC or peripheral systems
- d. Damages due to product misuse i.e. gate and operator combination mismatch
- e. Damages due to vandalism

Section III RMA Shipping Policy

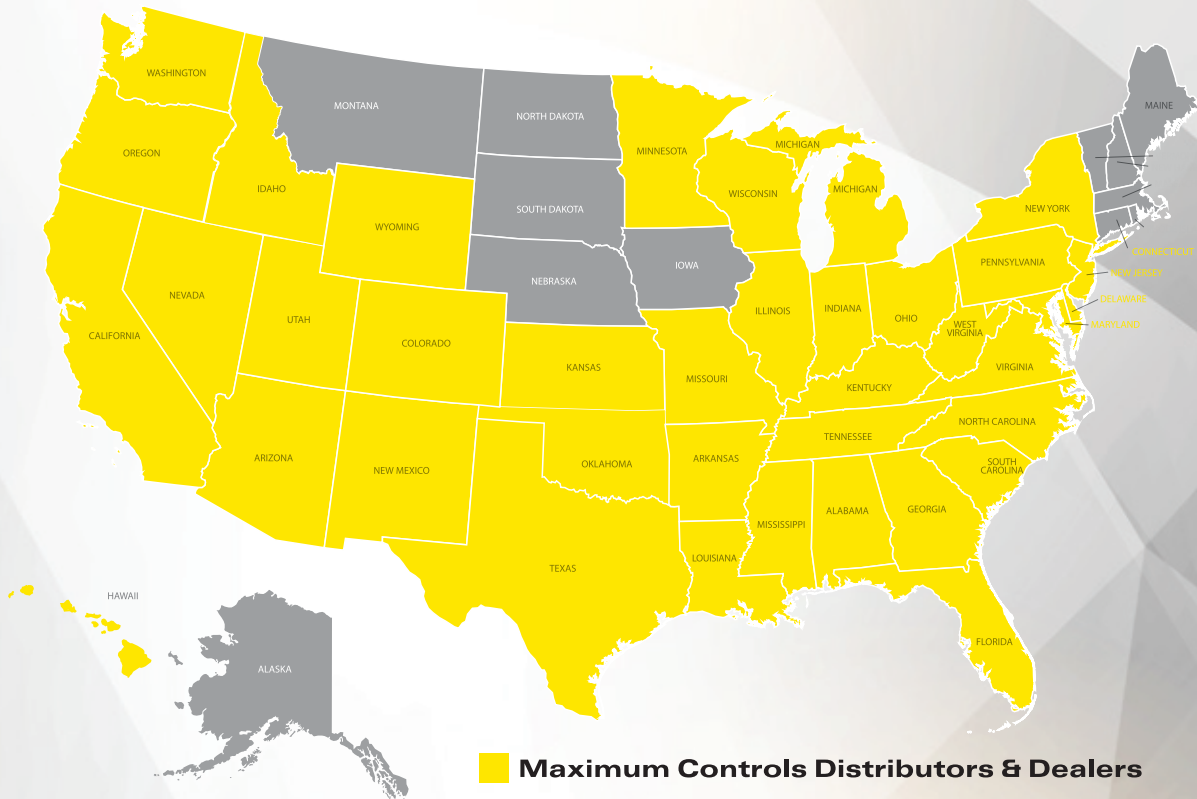
- a. Maximum Controls LLC will pay for return shipping via standard ground UPS or USPS FOB CA on all RMA's within one year of Distributor's purchase
- b. Any form of "Expedited Shipping" on any RMA will be paid by Distributor

Section IV Product Returns

- a. Products must be in original, resalable condition with all warranty information, manuals, and original packaging.
- b. A re-stock fee of 10% will be charged on all returned products.
- c. All returned products must reference a Maximum Controls RMA number or it will be refused.
- d. Maximum Controls is not responsible for freight charges associated with returned merchandise.



www.Max.US.com



Maximum Controls Distributors & Dealers

October 5th, 2018

Maximum Controls LLC
949.699.0220

10530 Lawson River Ave.
Fountain Valley CA 92708
USA

Independent Dealer or Distributor