

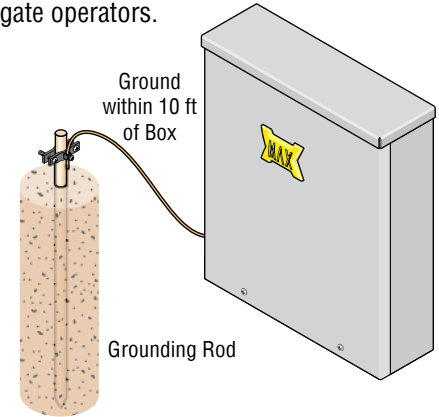
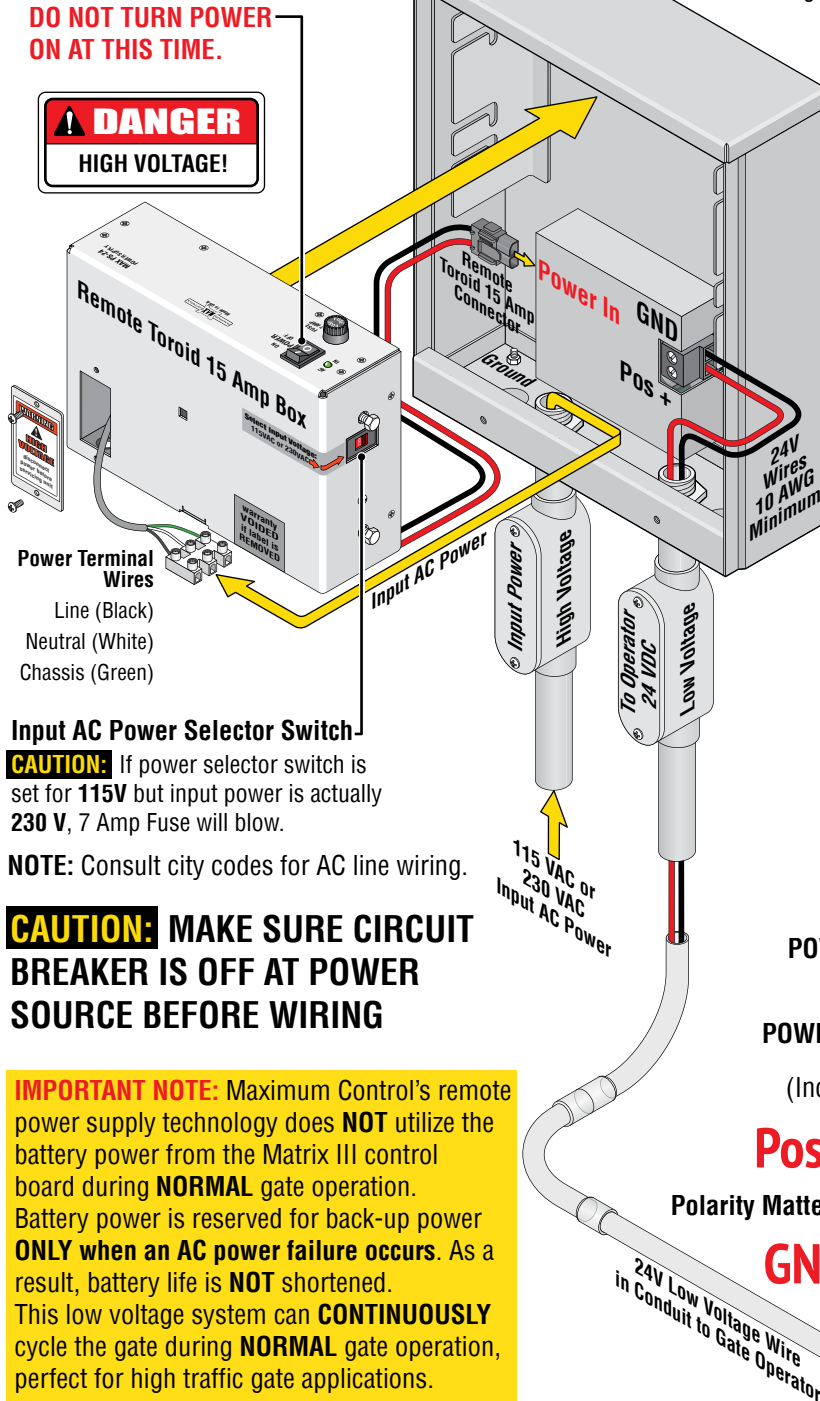
WIRING OPERATOR

LOW VOLTAGE REMOTE POWER SUPPLY KIT - OPTIONAL

A **MAX Magic Box Kit** (sold separately) is required to remotely install a **Remote Toroid 15 Amp box** at the AC power source. Plug in Remote Toroid 15 Amp connector to **Power In** at MAX Magic Box. Wire input AC power to the Toroid 15 Amp box. Choose either **115V** or **230V** setting on input AC power selector switch. Run 24V low voltage wires (not included) from the **MAX Magic Box** connection to the gate operator and wire to **POWER/SOLAR IN** connector (Polarity Matters!). Remove the Remote Toroid 15 Amp connector from the BC-7 battery module **POWER/SOLAR IN** port. Plug the Magic Box **POWER/SOLAR IN** connector into the **POWER/SOLAR IN** port.

At MAX Magic Box

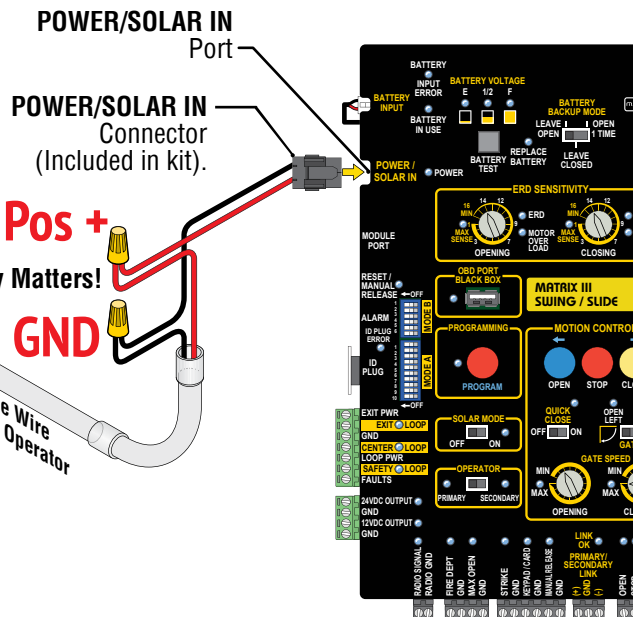
NOTE: A MAX Magic Box kit is required for **EACH** gate operator when using dual gate operators.



MAX Magic Box MUST be Properly GROUND

IMPORTANT: MAX Magic Box and Gate Operator **MUST EACH** be Properly **GROUND**. Proper grounding is a requirement for **LIGHTNING PROTECTION** in lightning prone areas. To be effective, ground connections should be made with a **minimum 12 AWG, 600 volt insulated wire** to a ground point within **10 feet of the MAX Magic Box and gate operator**. The ground point must be at an **electrical panel, a metallic cold water pipe** that runs in the earth, or a **grounding rod**.

NOTE: Beware of existing underground services.



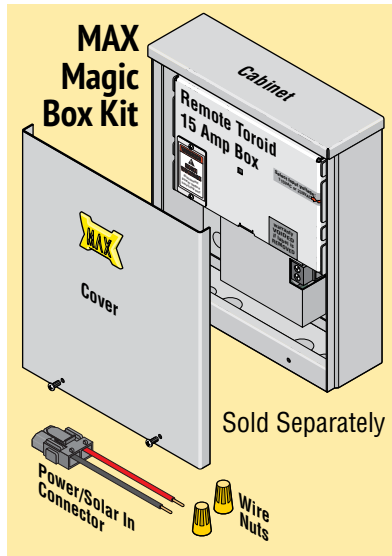
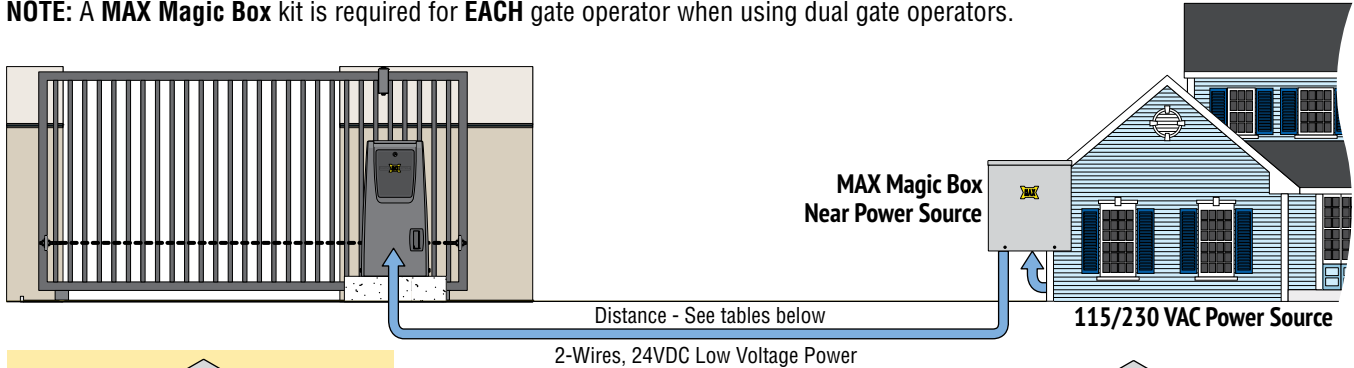
INSTALLATION

OPTIONAL REMOTE POWER SUPPLY KIT - MAX MAGIC BOX

A remote power supply is for installations where it is too costly or difficult to trench a 115/230 VAC power line to the operator but instead run a low voltage power line to the operator. A **MAX Magic Box Kit** (sold separately) is required to remotely install a **MAX Toroid 15 Amp Box**.

Install **MAX Magic Box** near the 115 VAC or 230 VAC input AC power source. See tables for MAX distance away from operator. See page 22 for **MAX Magic Box** wiring instructions.

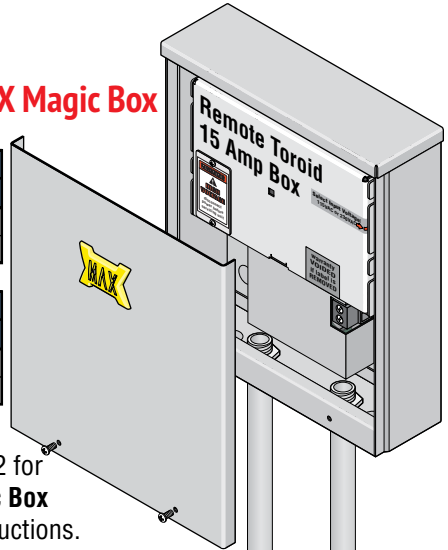
NOTE: A **MAX Magic Box** kit is required for **EACH** gate operator when using dual gate operators.



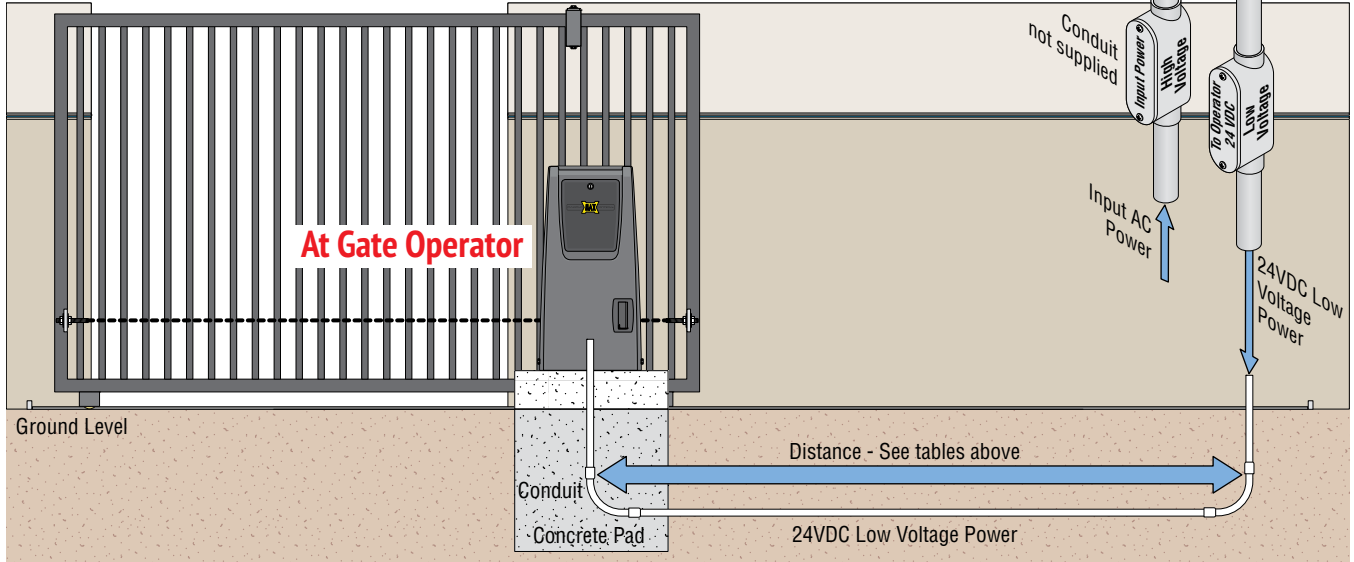
Level Gate			
Model	Gate Weight	Max Wire Distance - Wire Gauge	
MAX 1500	1500 lbs	300 ft - 10AWG	500 ft - 8AWG
MAX 2200	2200 lbs	300 ft - 10AWG	500 ft - 8AWG

Uphill Gate - 5° Max			
Model	Gate Weight	Max Wire Distance - Wire Gauge	
MAX 1500	1000 lbs MAX	300 ft - 8AWG	
MAX 2200	1500 lbs MAX	300 ft - 8AWG	

At MAX Magic Box



See page 22 for **MAX Magic Box** wiring instructions.



INSTALLATION

OPTIONAL REMOTE POWER SUPPLY KIT - MAX MAGIC BOX

A remote power supply is for installations where it is too costly or difficult to trench a 115/230 VAC power line to the operator but instead run a low voltage power line to the operator. A **MAX Magic Box Kit** (sold separately) is required to remotely install a **Remote MAX Megatron Toroid box**.

Install the **MAX Magic Box** near the 115 VAC or 230 VAC input AC power source, up to 1000 ft away from gate operator.

NOTE: A **MAX Magic Box** kit is required for **EACH** gate operator when using dual gate operators.

