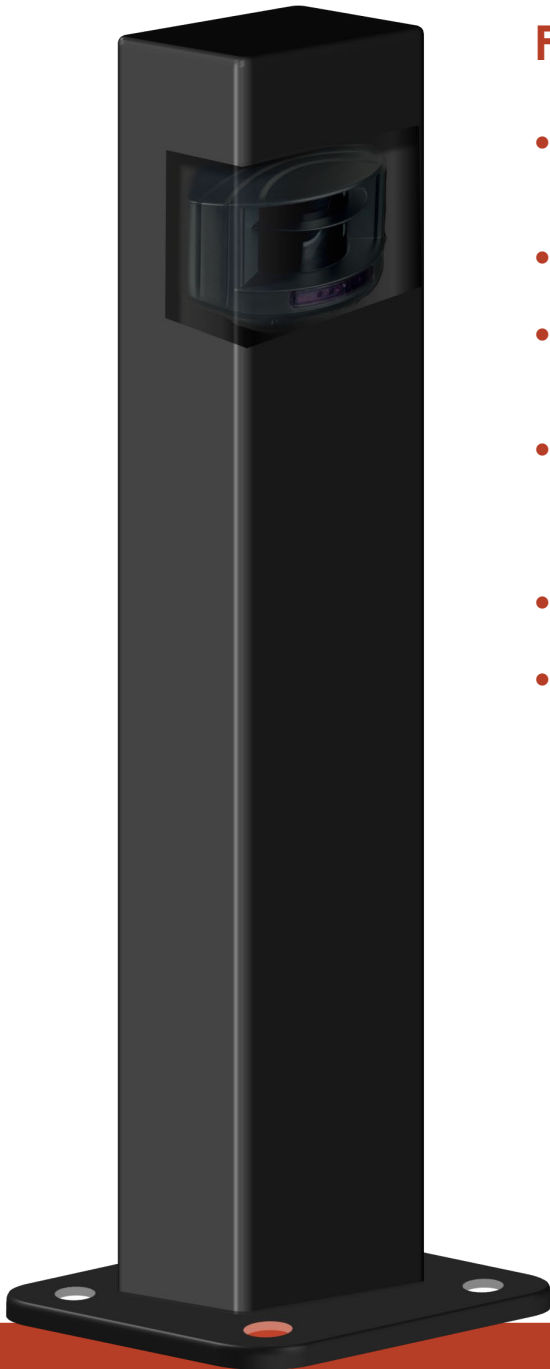




## LzrVault™

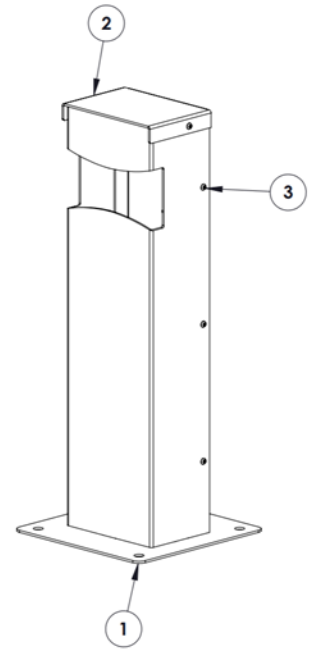
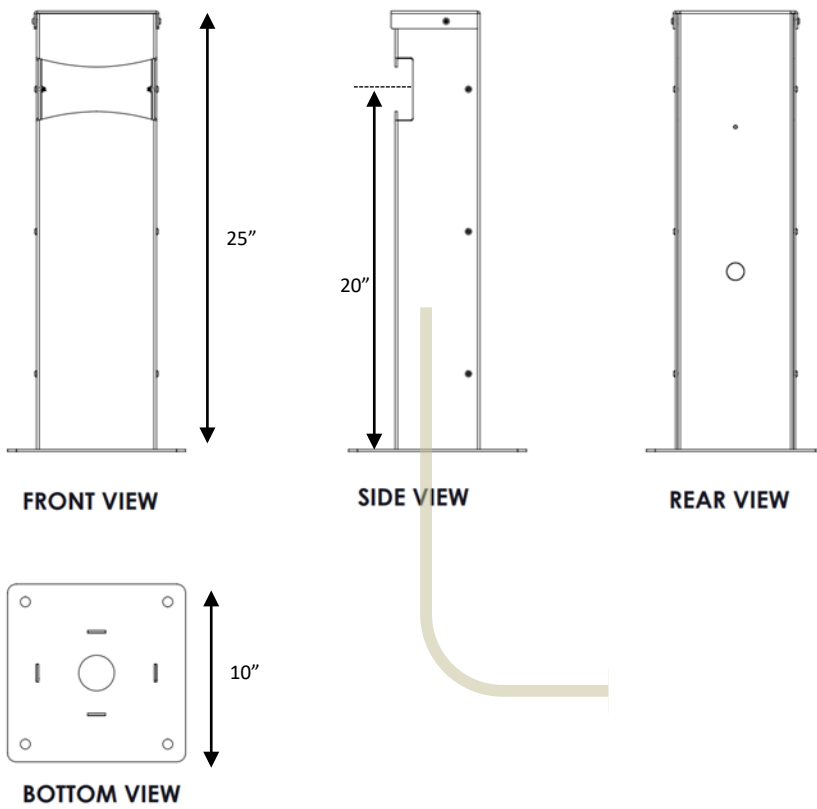
FOR THE BEA™ LZR-H100



### Features

- Vandal Resistant: Structural Construction Protects BEA LZR-H100 for long life and Reliable Operation
- Aesthetic Design helps keep Electronics “Out of View”
- Easy 4-bolt installation on Concrete Pad. Accommodates Wire Run from Below or Rear.
- Complete Installation Instructions including BEA LZR-H100 Programming Steps. Extensive Testing to Confirm Flawless Operations.
- Alternative Wire Run Through Base or In to Back.
- Adjustable In Three Dimensions for Site Conditions.

[ How to buy ] Call 888-491-4283 ● Torxun.com ● sales@TORXUN.com



## Technical Data

Facility	Data
Weight	20lbs
Steel	.120"/ 11-gauge post, 1/8" flange plate
Dimensions	5" x 7" x 25" post 10" x 10" base
Finish	Powder Coat

## Ordering Details

Product	Part#
Powder Coated Black	1100.003B
Safety Yellow Paint	1100.003Y
<b>5-year limited warranty</b>	

## About TORXUN

TORXUN Vehicle Access Technologies engineers architectural-grade products for vehicle access-controlled systems. Everything is produced in Tracy, CA



50 Sloan Court, Tracy CA 95304  
888-491-4283

Made in USA