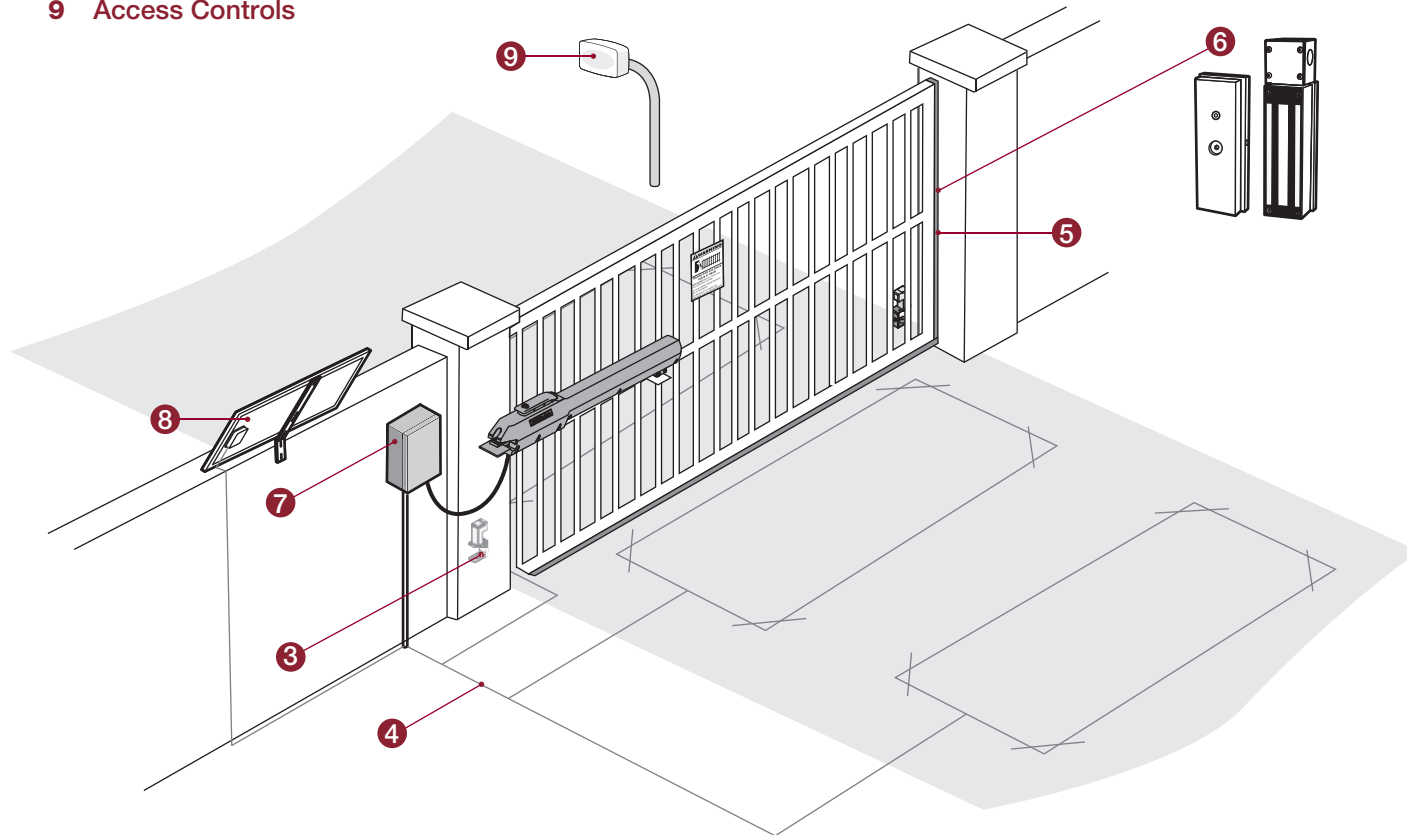
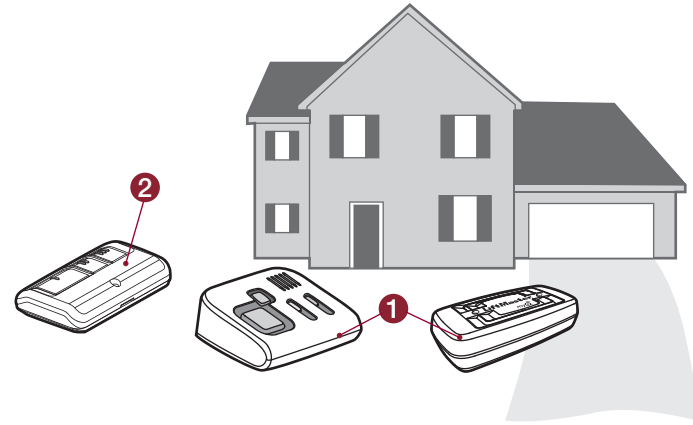


# Model LA500DC

## Gate Operator and Accessory Site Plan

- 1 MyQ® Enabled Indoor Controls
- 2 Remote Controls
- 3 Photoelectric Sensors
- 4 Loop Detectors
- 5 Edge Sensors
- 6 Locks
- 7 Control Box
- 8 Solar
- 9 Access Controls




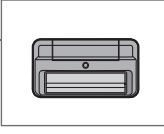
LiftMaster gate operators comply with UL 325 standards. Important: To be compliant with UL 325 and industry safety guidelines, qualified monitored external entrapment protection devices such as photoelectric sensors or edge sensors are required to be installed with this operator.

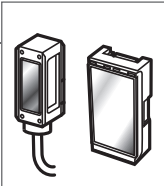
ORDER SUMMARY		
Customer:	Date:	
Project:		
Architect/Engineer:		
Contractor:		
Gate Length (ft.):	Gate Weight (lbs.):	Solar (Y/N):
Power Source (120 or 240 VAC):		

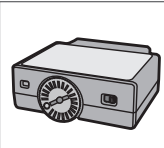
LiftMaster.com

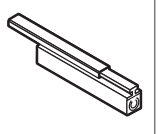
- 1**  **828LM\***  
**LiftMaster Internet Gateway**  
Imagine your Customers being at the office and receiving an alert if they left their garage or gate open. Or being able to turn on their lights before they get home. The LiftMaster 828LM Internet Gateway, which connects to your Customer's router and enables smartphone control, does this by letting them monitor, open and close their garage door or gate from anywhere and control home lighting.

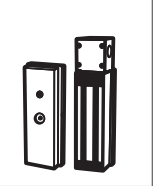

- 2**  **811LM**  
**Universal DIP Single-Button Remote Control**  
This remote control is deal for applications such as gated communities or commercial applications requiring a large number of remotes for a common entrance.

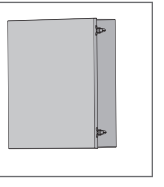

- 3**  **CPS-RPEN4GM**  
**Photoelectric Sensor**  
The photoelectric sensors are designed to detect an obstacle in the path of the electronic beam and stop the operator. Includes mounting brackets.

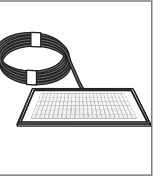

- 4**  **LOOPDETLM**  
**Plug-In Loop Detector**  
Plug-in Loop Detector, (LOOPDETLM) innovative design includes 8 sensitivity settings & boost, ensures vehicles are easily identified.



- 5**  **65-MG020-5**  
**Sensing Edge**  
Standard edges will cause a gate to stop or reverse when it meets an obstruction while closing. Edge length is 5 ft.



- 6**  **MG1300**  
**Magnetic Gate Lock**  
LiftMaster Elite Series® Maglock (MG1300) Securely holds the gate in the closed position keeping unwanted visitors out. (1300lb holding force)


- 7**  **LA500CONTXLMD**  
**Large Metal Control Box**  
Double the interior room of a standard control box allowing space for additional accessories. Lockable with padlock.


- 8**  **SOLPNL10W12V**  
**10 Watt 12V Solar Panel**  
 **SOLPNL20W12V**  
**20 Watt 12V Solar Panel**  
Ideal for remote and sunny areas without access to an AC outlet. Two 12V Solar panels required for 24V operators such as the LA500.


- 9**  **EL25**  
**Residential and Commercial Telephone Entry System**  
The EL25 is a beautifully engineered telephone entry system for private residences, yet fully adaptable for use in apartment buildings, condo complexes, office parks and commercial sites.


- KPR2000**  
**Single Entry Access Control Keypad and Proximity Reader**  
The KPR2000 is a feature-rich Keypad and proximity card reader access controller that is simple to install and looks great, making it an excellent choice for both residential and commercial applications.



\* LiftMaster® Internet Gateway Accessory functionality is dependent on communication with a MyQ® Enabled gate operator. MyQ® Technology communication can be limited by distance and type of exterior building materials. A general range estimate is 300 ft.

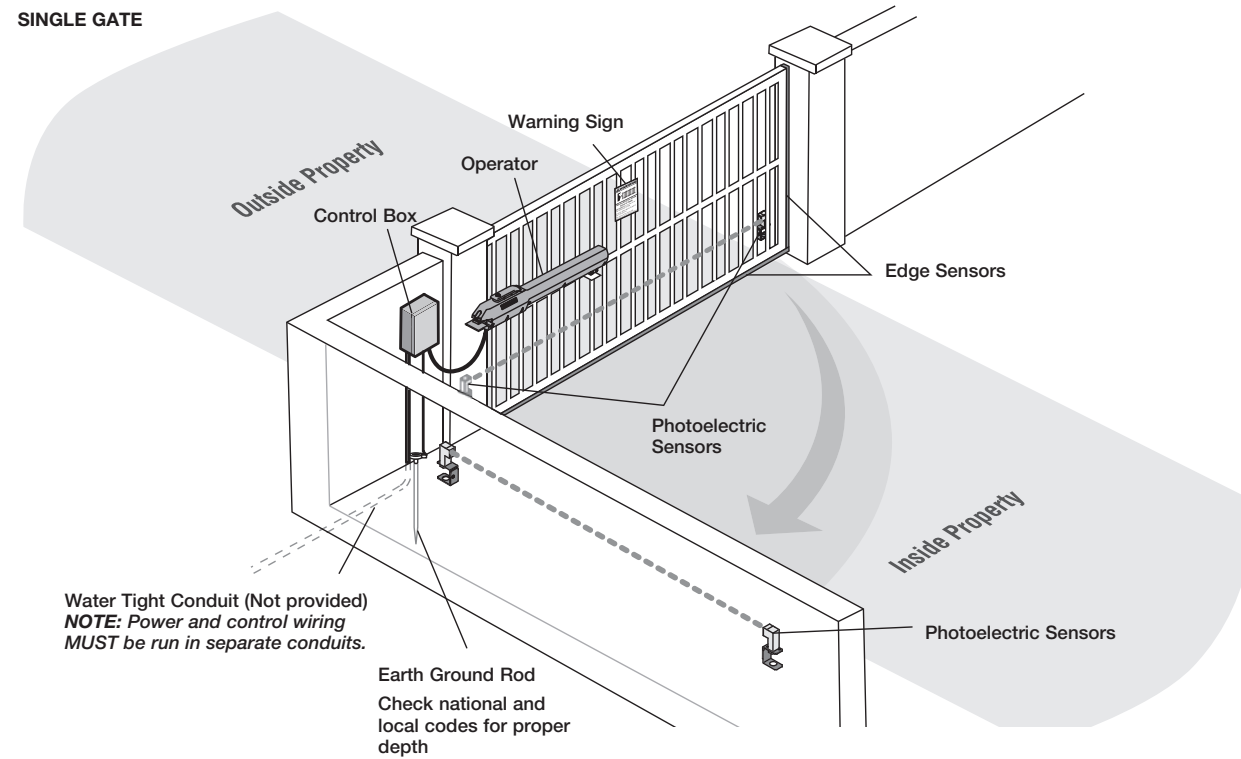
# Model LA500DC

## Installation Blueprint

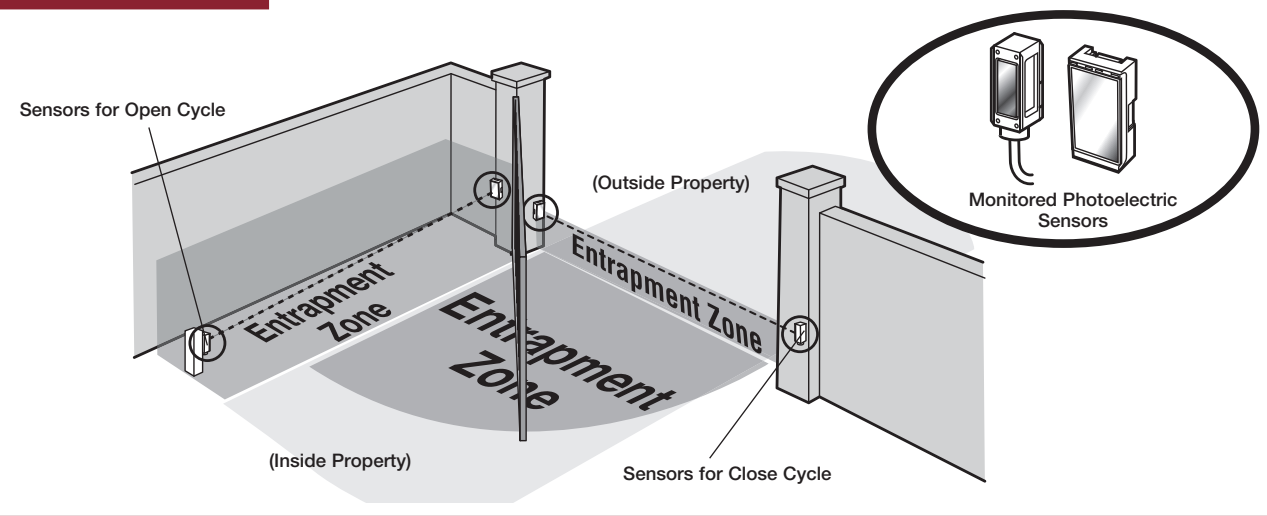
### TYPICAL INSTALLATION

OPERATOR POWER SOURCE		
Wire Gauge	120 Vac	240 Vac
14	350 feet (107 m)	1,150 feet (351 m)
12	525 feet (160 m)	1,850 feet (564 m)
10	850 feet (259 m)	2,950 feet (899 m)

#### SINGLE GATE



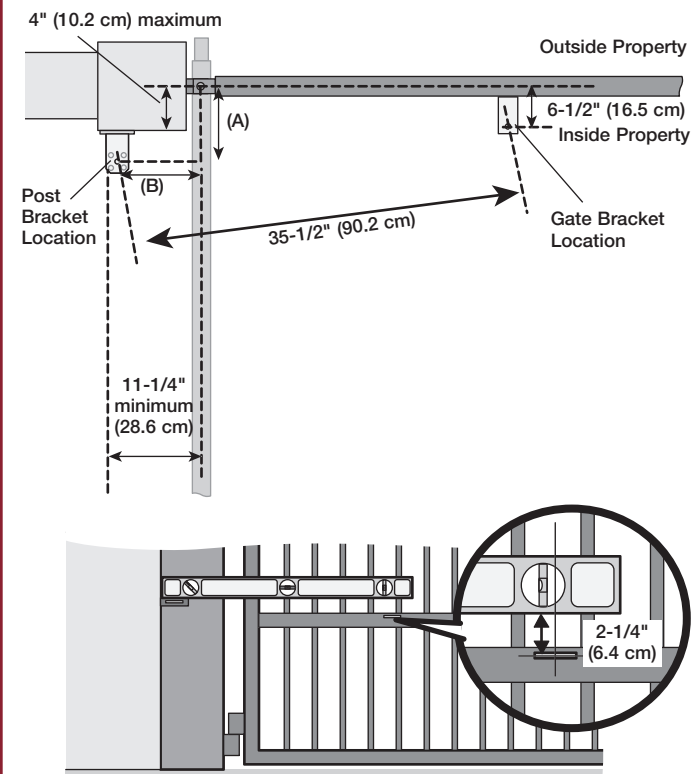
### SAFETY LAYOUT



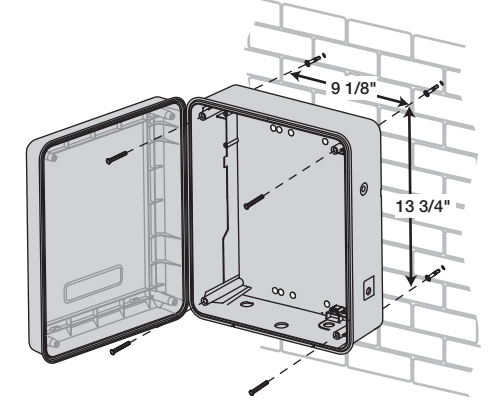
### INSTALLATION DIMENSIONS

DIMENSION CHART	
A	B
7-3/4" (19.7 cm)	8-1/2" (21.6 cm)
8-1/2" (21.6 cm)	7-3/4" (19.7 cm)
9" (22.9 cm)	9" (22.9 cm)
9" (22.9 cm)	8-1/2" (21.6 cm)
7-1/2" (19.1 cm)	7-1/2" (19.1 cm)

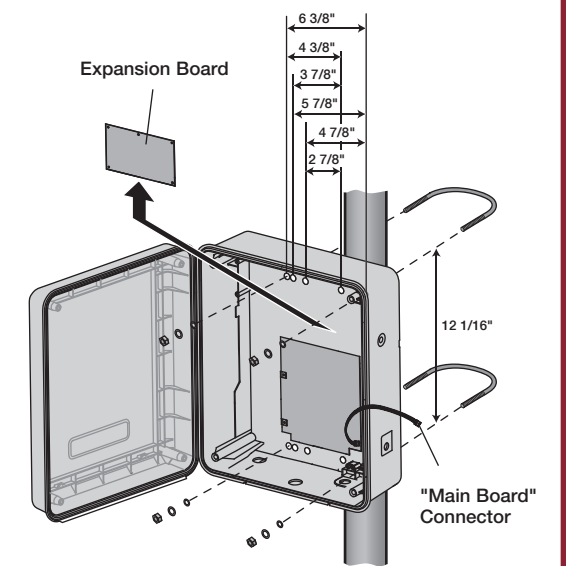
#### TOP VIEW OF GATE



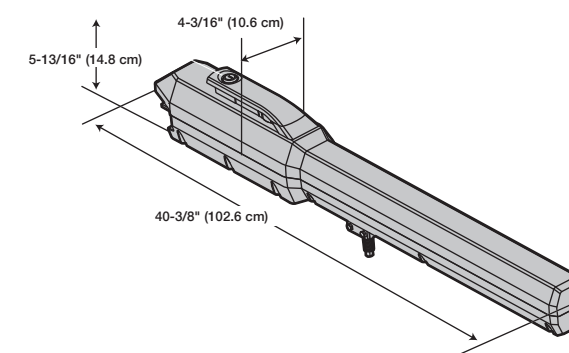
#### WALL OR COLUMN MOUNT



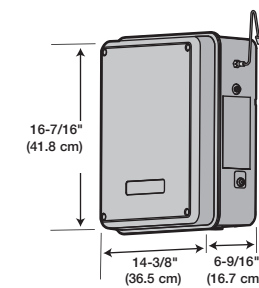
#### POST MOUNT



#### GATE OPERATOR



#### STANDARD CONTROL BOX



#### LARGE METAL CONTROL BOX

