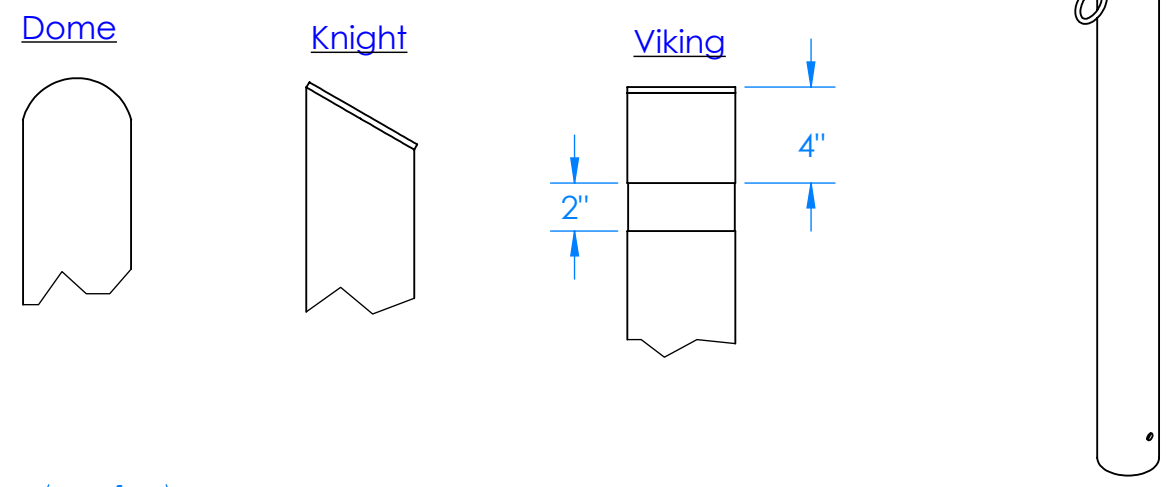


Cap Style



**SPECIFICATION:**

Bollard Material: 4" Pipe (4-1/2" OD)  
 IBF04040 Sch 40 ASTM A-53 Carbon Steel  
 IBF04080 Sch 80 ASTM A-53 Carbon Steel

Bollard Cap Style:

- Flat (Standard)
- Viking
- Dome
- Knight

Options:

Chain Eye Qty. \_\_\_\_\_ Height: \_\_\_\_\_

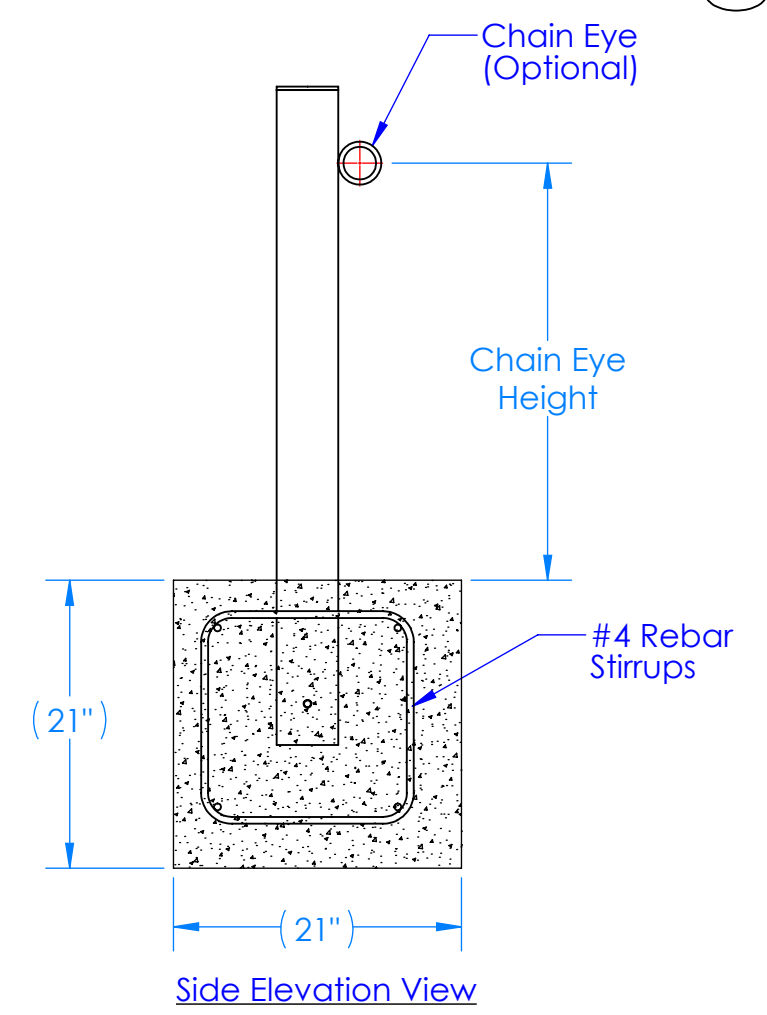
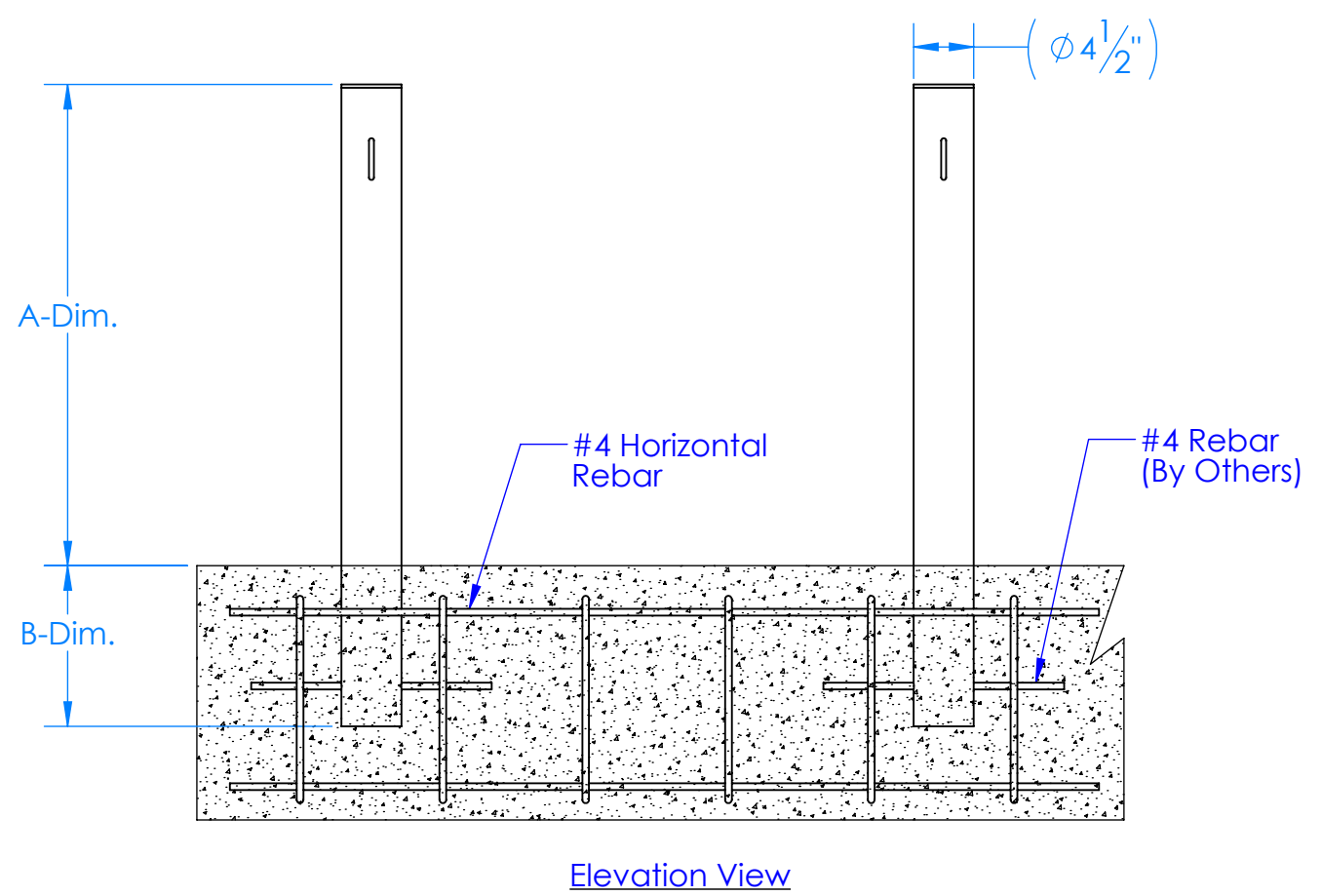
Carbon Steel Finish:

- Powdercoat RAL # : \_\_\_\_\_
- Other : \_\_\_\_\_

Please Specify the Following Dimensions:

A-Dim. \_\_\_\_\_ (Std. 36")  
 B-Dim. \_\_\_\_\_ (Std. 12" Embedment Depth)

D  
C  
B  
A



Company: \_\_\_\_\_  
 Project Name: \_\_\_\_\_  
 Signee's Name Written Clearly: \_\_\_\_\_ Date: \_\_\_\_\_  
 Authorized Signature: \_\_\_\_\_

<b>SIZE B</b>	<b>DRAWN BY: JMG</b>	<b>REV :</b>
	<b>DRAWN DATE: 11/13/15</b>	<b>SHEET : 10F1</b>



**19440 S. DOMINGUEZ HILLS DR.  
 RANCHO DOMIGUEZ, CA. 90220,USA**

**www.CalPipeBollards.com  
 562.803.4388 Direct  
 310.885.1899 Fax**

PROPRIETARY AND CONFIDENTIAL  
 THE INFORMATION CONTAINED IN THIS  
 DRAWING IS THE SOLE PROPERTY OF  
 CALPIPE INDUSTRIES INC. ANY  
 REPRODUCTION IN PART OR AS A WHOLE  
 WITHOUT THE WRITTEN PERMISSION OF  
 CALPIPE INDUSTRIES INC. IS PROHIBITED

UNLESS OTHERWISE SPECIFIED:  
 DIMENSIONS ARE IN INCHES  
 TOLERANCES:  
 FRACTIONAL ± 1/4  
 ANGULAR: MACH ± 1 BEND ± 1  
 TWO PLACE DECIMAL THREE ± 0.010  
 PLACE DECIMAL ± 0.005

**IBF04XXX  
 4" STEEL FIXED BOLLARD**