

- Onboard CCTV camera included with base model
- 650TVL Color Hi-Res Camera, 3.0mm wide angle lens
- Low power consumption, < 3W
- Durable aluminum construction
- Accepts up to five cameras; two side-facing and three front-facing
- Cameras mount covertly behind half-foot markers
- Fits most standard door frames (1.75")
- Highly visible color coded height levels
- Two piece construction for easy installation
- Accessory bracket rotates entire unit 90° left or right to view directly across doorways.

Height Strip Camera



Height Strip cameras can be coupled with ceiling-mounted CCTV cameras to augment businesses' surveillance capabilities. The ceiling cameras capture the subject's height as he or she passes the height strip while the camera on-board the Height Strip captures facial images. Businesses that install height strip tape without an on-board camera run the risk of failing to capture facial images of subjects wearing a hat or hood.

The Aigis Height Strip Camera was designed with ease of installation and high adjustability in mind. The curved front surface of the unit and tinted viewing windows allow the camera to be rotated for site-specific adjustments. The camera's 3.0mm IR corrected wide-angle lens provides a 78° horizontal field of view. The camera can be turned 22° left and right of center to capture the desired view.

Cable entry through the top, bottom, or rear of the unit allows the unit to be installed in a wide variety of environments. Equip the unit with an additional accessory camera and mount the Height Strip Camera between two doors to cover both entrance and exit with a single unit. Side-facing cameras can be installed to provide a profile shot across a doorway while the other on-board cameras face into the business.

NOTES:

Standard unit is painted white with color coded decals. Custom colors are available; contact the factory for details. No angle adapter required to change viewing angle; cameras turn independent of the height strip casing. Camera ships pre-focused and a 12VDC power supply is included.

PART NUMBERS

HCICH30-6	Height Strip, white
HCICH30-6B	Height Strip, black
HCICH30-6S	Height Strip, silver
HCICH30-6BZ	Height Strip, architectural bronze

OPTIONS

-N	Height Strip (any color) sold without the height indicator markers (Ex: bronze Height Strip with no labels = HCICH30-6BZN)
----	--

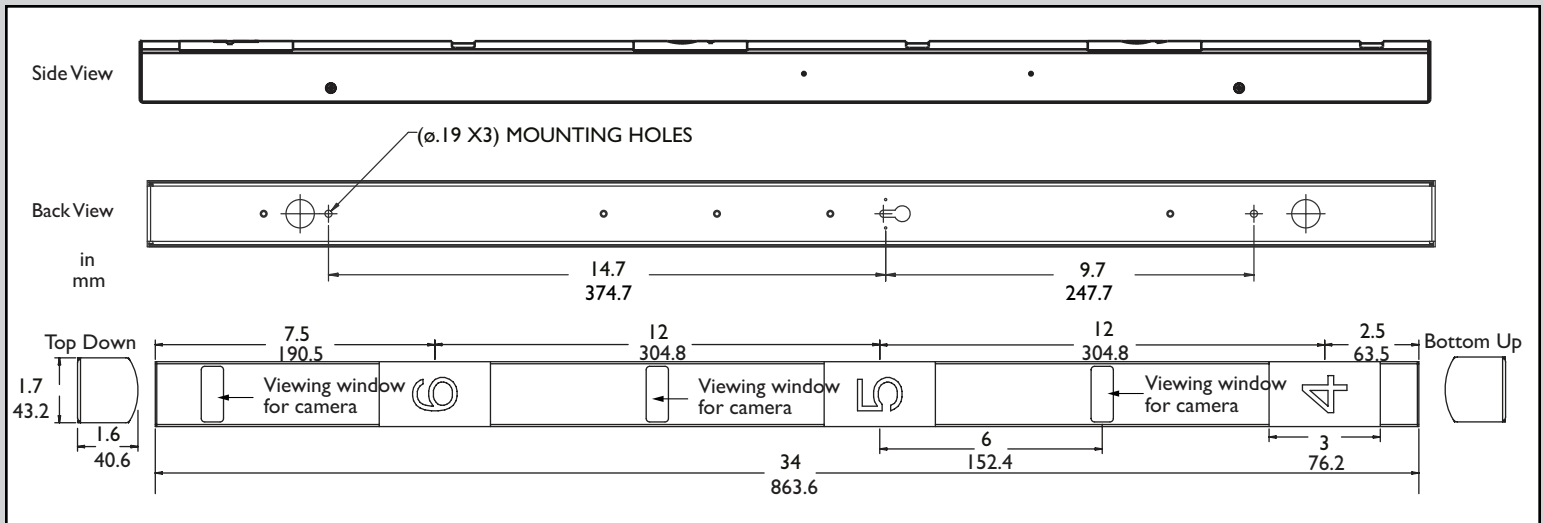
ACCESSORIES

CAM-HCICH30-6	Accessory 650 TVL Color Camera w/ 3.0mm lens pre-focused, power supply (110VAC to 12VDC, 0.5A) included
MT-HC	Accessory Bracket, Rotates Entire Height Strip 90° Left or Right
PS-HCICH30	Accessory Power Adapter, converts 24VAC to 12VDC, powers one camera

Specifications

Height Strip Camera	
Linear Part Number	HC1CH30-6xx
Camera Type	Color Hi-Res
Image Sensor	1/3" CCD
Signal System	NTSC
Effective Pixels	768 (H) x 494 (V)
Resolution	650tvl
Mimimum Illumin	0.001Lux/F2.0
S/N Ratio	≥50dB (AGC OFF)
Control Method	OSD
Electronic Shutter	1/60-1/100,000 Sec
White Balance	Auto
AGC	Auto
BLC	Auto / Manual
Gamma Correction	0.45
Lens	3.0mm / F2.0
Power Supply	DC12V
Power Consumption	150mA
DSP Features	DWDR, 3D DNR, Sense-Up
Operating Temperature	-10°C ~ +50°C (+14°F ~ +122°F), 95% RH Max

Dimensional Outlines



1950 Camino Vida Roble, Suite 150
 Carlsbad, CA 92008
 Tel: 760.438.7000 800.421.1587
 www.aigismech.com • www.linearcorp.com