

Cypress Expansion Module Sets are used with Suprex Reader-Extenders to accommodate additional readers.

The EXP-2000 is a set of Central and Remote expansion boards which connect to a Suprex pair using a 2-conductor RS-485 connection. Connect a total of 8 readers to the access controller using 1 Suprex pair and 7 Cypress EXP-2000 Expansion Module Sets (use 1 set per additional reader). The EXP-2000 Set supports a Wiegand input of 24-248 bits, the same I/O channels, and the same interface types as the Suprex Reader Extenders.

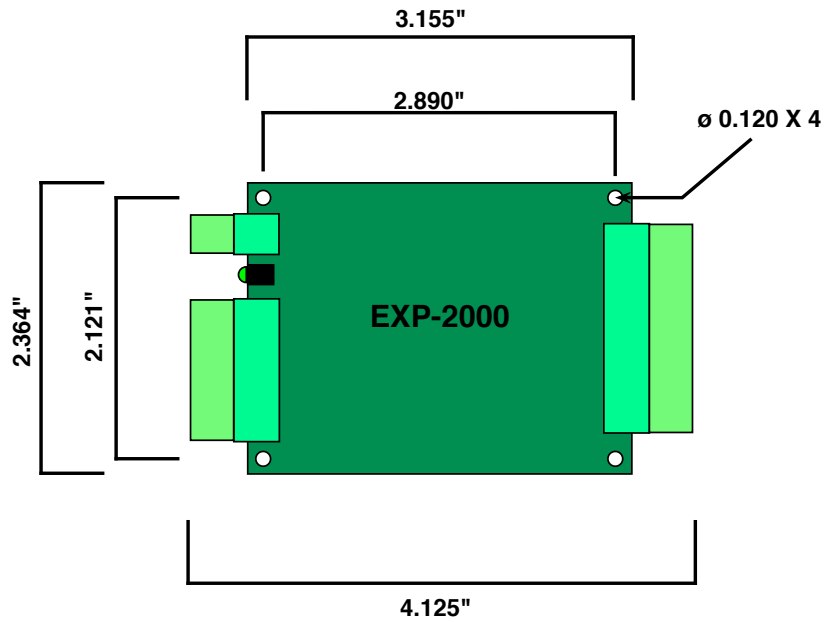
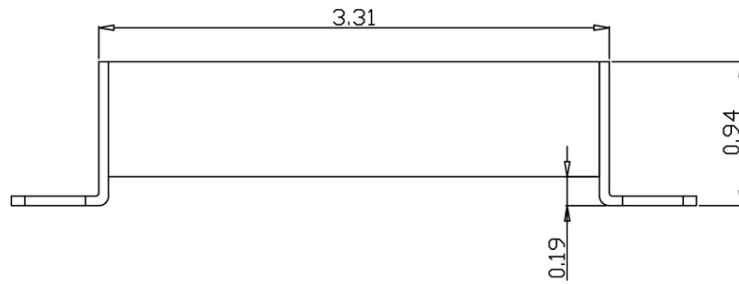
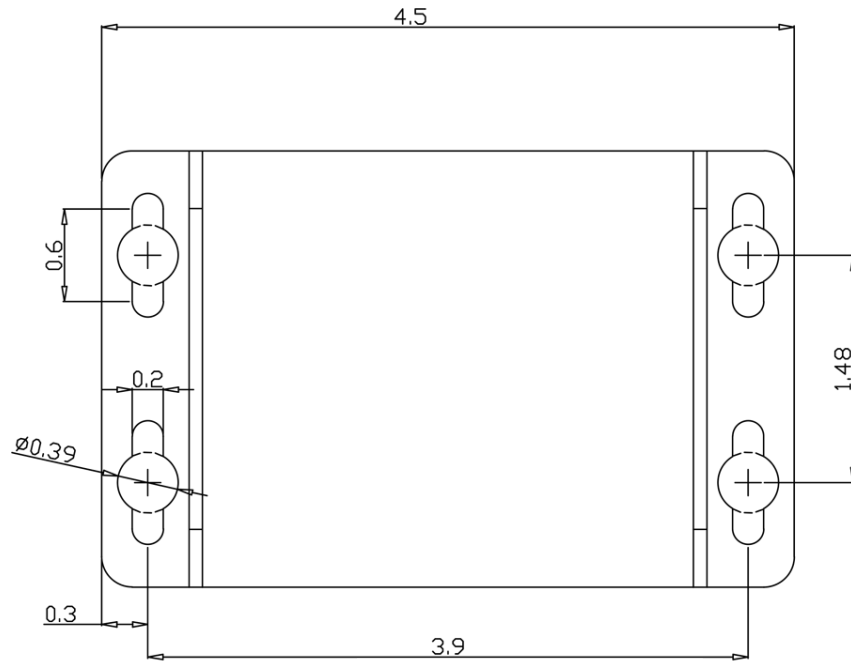
The EXP-1000 is a single unit, primarily used as a replacement part. It is half of the EXP-2000 and can be set to use as a Central or Remote unit, as can the individual EXP-2000 units.



Specifications			
Part Numbers	EXP-1000	UPC: 816684003165	Single Expansion unit - can be set to either Central or Remote
	EXP-2000	UPC: 816684003233	Expansion Module Set (Pair) - includes Central and Remote EXP
Physical	Dimensions of single unit, with enclosure	4.5" x 2.9" x 0.94" / 0.3 lbs. 11.43 x 7.37 x 2.39 cm / 0.14 Kg	
Environmental	Storage Temperature	0°C to 70°C 32°F to 158°F	
	Operating Temperature	0°C to 70°C 32°F to 158°F	
	Enclosure	Extruded aluminum, not sealed or weather rated.	
Electrical	Central and Remote Supply Voltage	8-16Vdc Current 300mA, per unit	
	Relays	Max Switching	220Vdc 30W (resistive) 1A / 250Vac 37.5VA 1A
		Running Spec with load	30Vdc 1A (resistive) / 125 Vac 0.3A (resistive), 1x10 <sup>5</sup> operations @ 20°C
Data Interfaces	Wiegand (Default)	Accepts 24-248 bits	Data 0 and Data 1
	Wiegand (No Filter)	Accepts 24-248 bits	Data 0 and Data 1
	Strobed Rising	Accepts 24-248 bits	Clock and Data
	Strobed Falling	Accepts 24-248 bits	Clock and Data
	Unsupervised F/2F	Accepts 24-248 bits	Data 1
Compatibility	Compatible Suprex Models	Cypress SPX-7200, SPX-7500, SPX-7400 series, and SPX-5600 series	
	Non-compatible Suprex Models	Cypress SPX-1300 (single-reader RS-485 Suprex)	
Additional Features	On-board relays to control door/gate		
	Auxiliary I/O available for LED signal and door/gate/panel status signal		
	Status LED and Supervision Relay (default off) monitor wireless connection status		
Warranty	Lifetime warranty		



# Cypress Suprex® Expansion Solutions - Dimensions



All dimensions are listed in inches.