

CONNECTED ACCESS PORTAL, HIGH CAPACITY WITH VIDEO CAPXLV

SECTION 28 13 00



KEY FEATURES

UNIT INTERFACE CAPABILITIES	Touchscreen/voice/PIN/card/transmitter/RFID tag
SCHEDULING CAPABILITIES	Yes
RADIO RECEIVER	Included
WIRELESS COMMUNICATION	Yes**

SPECIFICATIONS

DATA CONNECTIVITY	Wi-Fi/cellular/wired high-speed internet/DSL
VOICE COMMUNICATION	Wi-Fi/cellular/wired high-speed internet/DSL
CALLING CONNECTIVITY	VoIP (Phone.com)
POWER SUPPLY	120VAC to 24VDC transformer (included)
PROGRAMMING (DATABASE MANAGEMENT)	Cloud (myQ® Community Control®)
REMOTE PROGRAMMING (DATABASE MANAGEMENT)	Yes
REALTIME EVENT MONITORING (EMAIL NOTIFICATIONS)	Yes
SOFTWARE	myQ Community Control
WIEGAND INPUT DATA FORMAT	26 BIT, 30 BIT, 37 BIT (HID), 37 BIT (Transcore), AND 32 BIT (MiFare)
WIEGAND OUTPUT DATA FORMAT	26 Bit
LOCAL USER CAPACITY PER UNIT	50,000
LOCAL EVENT HISTORY PER UNIT	50,000
MAX NUMBER OF GATES/DOORS OF CONTROL (EACH)	4
WIEGAND INPUT	4
RELAY OUTPUT	8 (4 primary, 4 auxilliary)
MOUNTING OPTIONS	Surface/flush/gooseneck
OPERATING TEMPERATURE	-20°F to 130°F (-29°C to 54°C)
DISPLAY TYPE	10 inch full color touch screen with Picture-in-Picture
DISPLAY RESOLUTION	720p high definition
INTEGRATED VIDEO CAMERA	Yes
ANTI-TAMPER ALARM	Yes
WARRANTY	2 years

CONSTRUCTION

ENCLOSURE MATERIAL	Stainless steel
---------------------------	-----------------

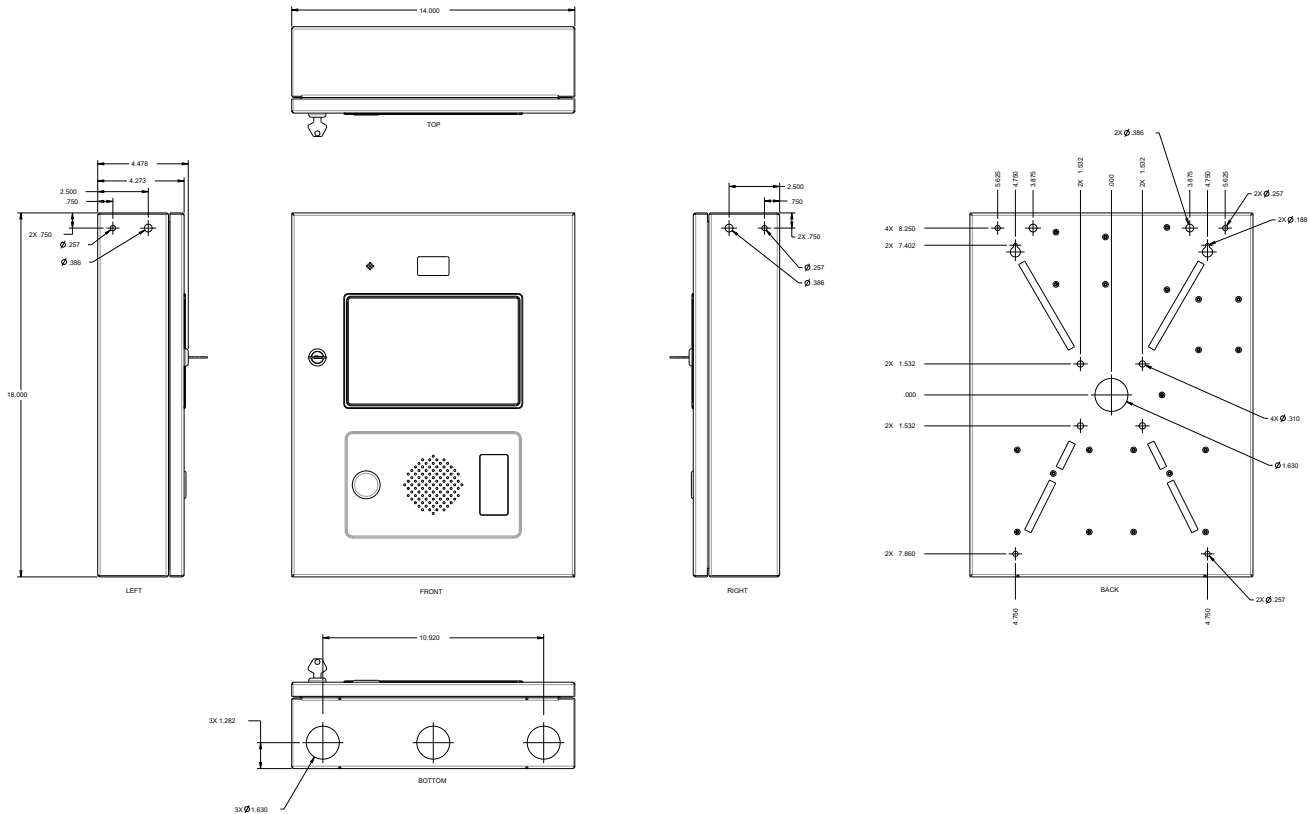
DATA SHEET
CONNECTED ACCESS PORTAL,
HIGH CAPACITY WITH VIDEO

LiftMaster

CONNECTED ACCESS PORTAL, HIGH CAPACITY WITH VIDEO CAPXLV

SECTION 28 13 00

DIMENSIONS



RANGE

CAPXLV Feature	Wired	Wireless	Wire type	Range
Power 120VAC to 24VDC transformer (from outlet to controller)	x		2 wire (14 AWG) 2 wire (16 AWG) 2 wire (18 AWG)	Up to 300 ft. Up to 200 ft. Up to 100 ft.
Wiegand accessory wiring	x		7 wire (18-22 AWG)	Up to 500 ft.
Relay output wiring	x		2 wire (18-24 AWG)	Up to 2500 ft.
Exit Request (REX)	x		2 wire (18-24 AWG)	Up to 500 ft.
Supervised input	x		2 wire (18-24 AWG)	Up to 500 ft.
RJ-45 Internet	x		CAT5 or better 8 strand (24 AWG)	Up to 328 ft.
Wireless link to LiftMaster® Operators		x	N/A	Up to 1000 ft.*
Wi-Fi		x	N/A	Up to 500 ft.**

*When used with LiftMaster® operators with Security+ 2.0® Radio

**When used with LiftMaster® Gate Operator mfg. after Nov. 2017

© 2020 The Chamberlain Group, Inc. All Rights Reserved.
LiftMaster, the LiftMaster logo, are registered trademarks
of the Chamberlain Group, Inc.

LiftMaster.com
LMARENDSCPXLV 8/20

LiftMaster