

PRODUCT FEATURES

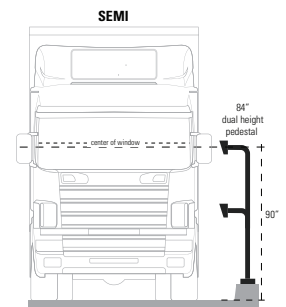
- Dual height for cars and SUV's
- Universal design
- Heavy duty materials
- Steel construction
- Black wrinkle powder coating w/ UV protection
- NDAA, Buy American, or USMCA/CUSMA compliant
- In-stock, ready-to-ship
- Available direct or through distribution
- ADA compliant

CUSTOM OPTIONS

- Shorten or extend neck reach
- Shorten or extend height
- Customize face plate or base plate
- Readily available powder coating colors (white, yellow, bronze, gray, silver)
- Choose any RAL powder color

DESCRIPTION

The heaviest-duty, dual-height, car-truck pedestal in the security industry. Even holds the heaviest telephone entry systems sturdy in the wind. Standing 84" tall, this pedestal is perfectly suited to accommodate gate access for vehicles of all sizes including cars, SUV's, buses, semi-trucks, and other large commercial traffic.

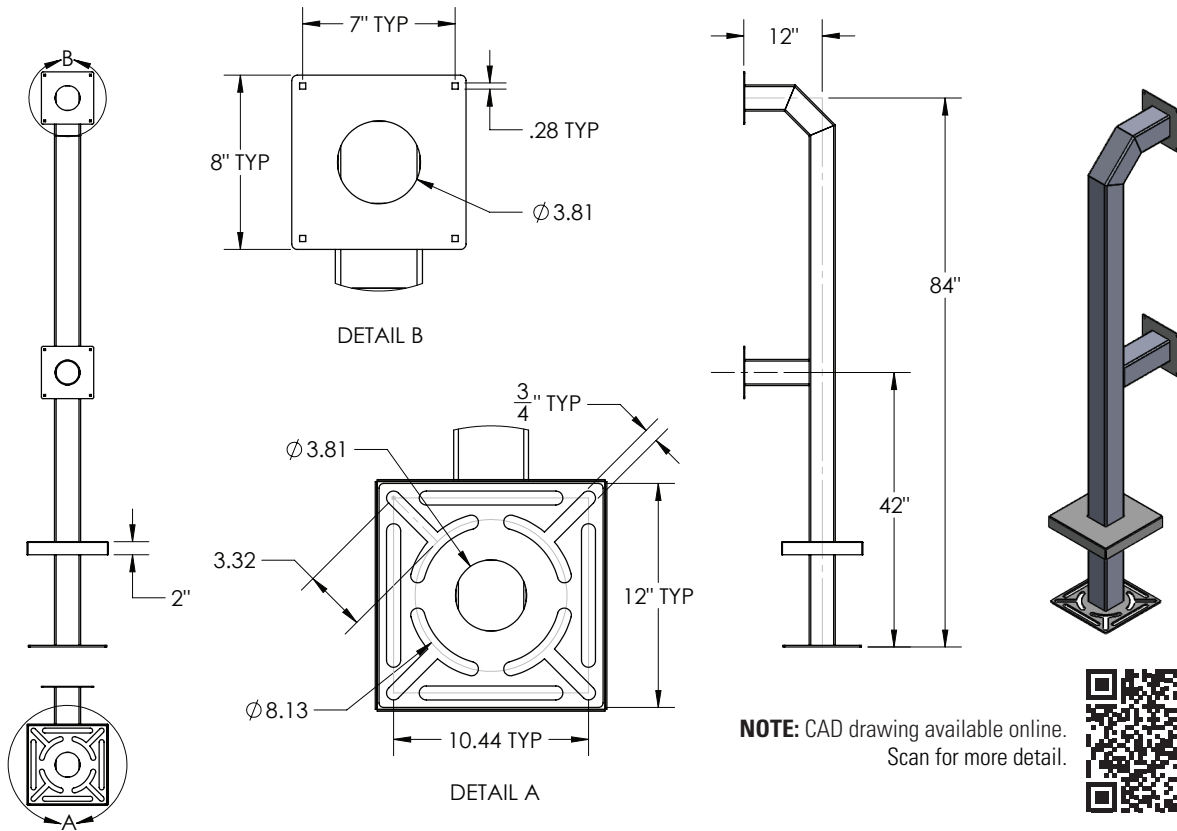


Download Vehicle Height Chart for more details

RECOMMENDED ACCESSORIES

BOLT KIT Stud-Anchor-625	BOLT KIT L-Bolt-625	HOOD Hood-CS-14x14	HOUSING Lando-PC-20x16-E-BLK	BUFFER PLATE CS-ABP-1212	SHIM KIT Shim-Kit-001	NECK EXTENSION 12-EXT-4
---	--	---	---	---	--	--

Model No. **84-DSP-4-12-12**



NOTE: CAD drawing available online.
Scan for more detail.



DATA & SPECS

Product Style	Gooseneck
Material	Steel
Tube	4" x 4" x .120" wall, steel
Face Plate	.125" (11 gauge)
Base Plate	.25" plate
Cover Plate	.074" (14 gauge)
Mounting Method	Pad mount
Pretreatment	High pressure/high temperature phosphate wash and rinse
Finish	Black wrinkle powder coating (TGIC outdoor polyester)
UV Protection	Yes
Hardware	1/4-20 carriage bolts and nuts (qty 4 each, zinc plated)
Packaging	Foam wrapped and boxed individually
Package Size	88 x 15 x 13
Weight	80 lbs
Shipping Method	UPS, FedEx, or LTL freight
Compliance	NDA, Buy American, or USMCA/CUSMA (see website for details)
Warranty	1 year limited (see website for details)
Inventory Status	In-Stock (inventory levels viewable for registered users on pedestalpro.com)

SIMILAR PRODUCTS

