

PRODUCT FEATURES

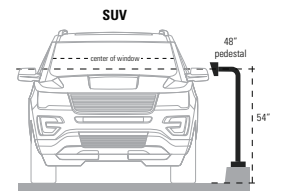
- Dual height for cars and SUV's
- Universal design
- Heavy duty materials
- Steel construction
- Black wrinkle powder coating w/ UV protection
- NDAA, Buy American, or USMCA/CUSMA compliant
- In-stock, ready-to-ship
- Available direct or through distribution
- ADA compliant

CUSTOM OPTIONS

- Customize face plate or base plate
- Readily available powder coating colors (white, yellow, bronze, gray, silver)
- Choose any RAL powder color

DESCRIPTION

A low cost, dual-height, car-SUV pedestal for mounting access control devices at gates. Standing 64" tall, this pedestal will accommodate gate access for vehicles of many sizes including cars, SUV's, and other small commercial traffic.



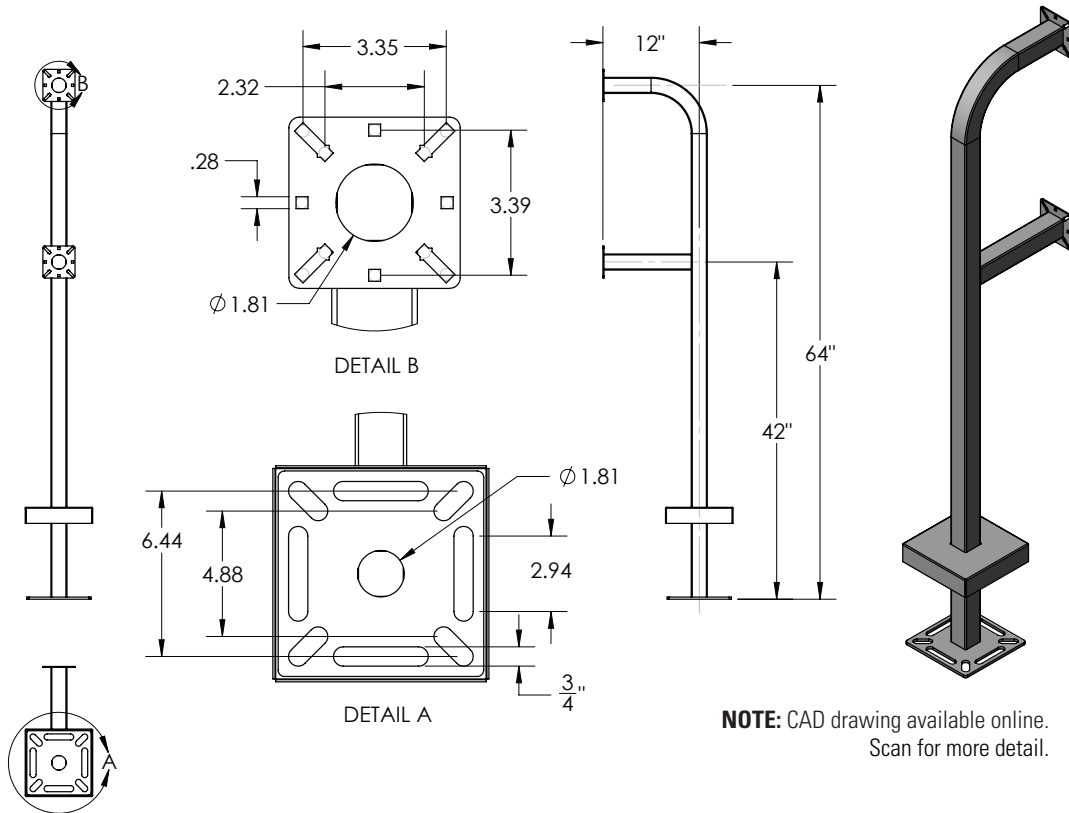
Download Vehicle Height Chart for more details

RECOMMENDED ACCESSORIES

| | | | | | | | |
|---|--|---|---|---|--|--|---|
| <p>BOLT KIT</p> <p>Stud-Anchor-625</p> | <p>BOLT KIT</p> <p>L-Bolt-625</p> | <p>HOOD</p> <p>Hood-CS-14x14</p> | <p>HOUSING</p> <p>MC-PC-14-E-BLK</p> | <p>BUFFER PLATE</p> <p>CS-ABP-1212</p> | <p>SHIM KIT</p> <p>Shim-Kit-001</p> | <p>NECK EXTENSION</p> <p>12-EXT-2</p> | <p>DIRECTIONAL HEAD</p> <p>OMNI-4W5T-BLK</p> |
|---|--|---|---|---|--|--|---|

NOTE: Real time inventory levels are viewable for registered users on pedestalpro.com

Model No. **64-9C-DSP**



NOTE: CAD drawing available online.
Scan for more detail.



DATA & SPECS

| | |
|------------------|--|
| Product Style | Gooseneck |
| Material | Steel |
| Tube | 2" x 2" x .120" wall, steel |
| Face Plate | .125" (11 gauge) |
| Base Plate | .25" plate |
| Cover Plate | .074" (14 gauge) |
| Mounting Method | Pad mount |
| Pretreatment | High pressure/high temperature phosphate wash and rinse |
| Finish | Black wrinkle powder coating (TGIC outdoor polyester) |
| UV Protection | Yes |
| Hardware | 1/4-20 carriage bolts and nuts (qty 4 each, zinc plated) |
| Packaging | Foam wrapped and boxed individually |
| Package Size | 68 x 15 x 10 |
| Weight | 40 lbs |
| Shipping Method | UPS, FedEx, or LTL freight |
| Compliance | NDA, Buy American, or USMCA/CUSMA (see website for details) |
| Warranty | 1 year limited (see website for details) |
| Inventory Status | In-Stock (inventory levels viewable for registered users on pedestalpro.com) |

SIMILAR PRODUCTS

