

powermaster

ASW

Actuating Swing Arm Operator with DC motor controls vehicular gates in moderate traffic and residential applications. Ideal for custom homes, self storage, and other commercial properties.

STANDARD FEATURES

- BATTERY BACKUP
- SOFT START/ SOFT STOP
- EASY SET LIMITS
- SINGLE/DUAL GATE MODE
- LEFT OR RIGHT HAND OPERATION
- CONVENIENT KEYED MANUAL RELEASE

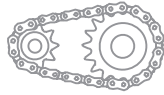


*Complete selection of control stations
& accessories are available.*

All gate operators must have contact and non-contact sensing system installed for operator to work properly and safely.

 [Facebook.com/PowerMasterOperators](https://www.facebook.com/PowerMasterOperators)

www.PowerMasterNY.com
SERVICING THE INDUSTRY SINCE 1969



SPECIFICATIONS & FEATURES

24VDC DIRECT DRIVE MOTOR OFFERS HIGHER EFFICIENCY

POWER INPUT: 120VAC

GATE CAPACITY: 800 LBS, 15 FT WIDE

TRAVEL SPEED: 15 SECONDS TO OPEN OR CLOSE

SELF LOCKING

BUILT-IN BATTERY BACKUP - BATTERIES INCLUDED (UNIT CAN RUN UP TO 600 CYCLES ON BATTERY BACKUP)

SOFT-START/SOFT STOP FEATURE FOR SMOOTH OPERATION

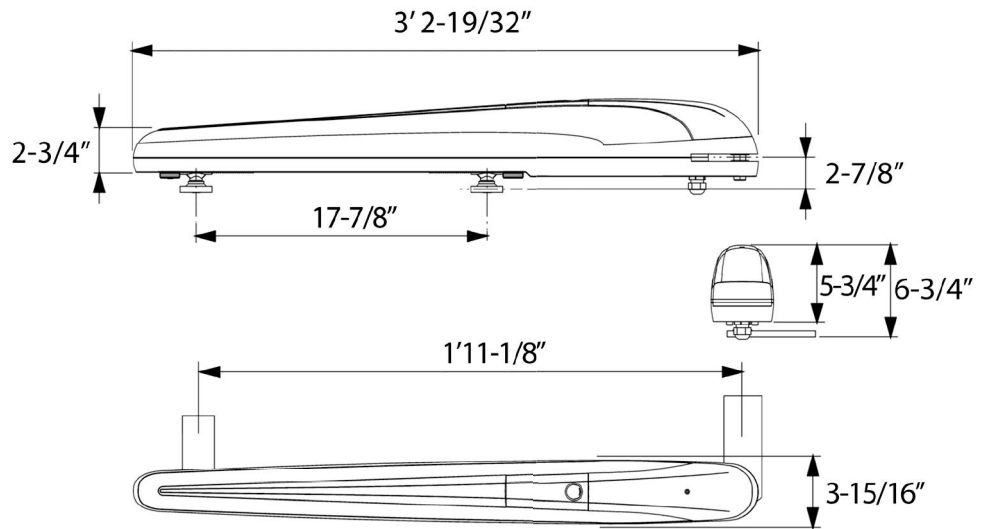
BUILT-IN 3-BUTTON CONTROL FOR SIMPLE INSTALLATION SETUP

POWER FAIL OPERATION CAN BE SET TO OPEN GATE OR CYCLE GATE

SOLID STATE CIRCUITRY IS PROTECTED BY A PLASTIC ENCLOSURE

BUILT-IN RADIO RECEIVER

SHIPPING WEIGHT: APPROX. 75 LBS



OPTIONAL EQUIPMENT

- RADIO CONTROL
- ADDITIONAL SAFETY EDGE (CONTACT SAFETY SENSOR)
- ADDITIONAL PHOTO CELL (NON-CONTACT SAFETY SENSOR)
- PLUG-IN LOOP DETECTORS
- CARD KEY READER
- THREE SECOND ADVANCE AUDIO WARNING SIGNAL AVAILABLE UPON REQUEST

CAUTION

A moving gate can cause serious injury or death! Carefully read and follow all safety instructions, precautions, and guidelines when installing and using this product. Motorized gates are for vehicles only. Pedestrians must use a separate entrance. **NO ONE SHOULD CROSS THE PATH OF A MOVING GATE!** Proper reversing devices must be installed on gates to avoid all hazards, pinch points and entrapment. Eliminate all hazards, pinch points and entrapment areas. Warning signs must be permanently installed and visible to traffic and pedestrians. Do not mount operating devices accessible through gates or between a gate and wall. Never allow children to lay in the path of a gate. Never allow children to operate or play with the gate controls. Follow UL 325 and ASTM F220-02 standards. Do not install this product unless all hazards, pinch points and entrapment points are protected.

